

## ★ Our Service Policy:

1. NFPA engineer approved free design for all fire systems.
2. Installation and training at customer's location.
3. Special product design with appropriate solution.
4. Continuous technical support.
5. 2 years warranty.

## Contact us

### China-Marketing Center

#### Shenzhen Asenware Test & Control Technology Co.,LTD

D-26H, Shihong Building, No.63 Fanshen Road, Baoan District, Shenzhen, Guangdong, China -518101

### China-R&D and Supply Chain Center

#### Zhongshan Guta Fire Equipment Technology Co.,LTD

4F,10# ,Xingye Rd., Huoju District,Zhongshan City, Guangdong.

### UK-Marketing Center ASENWARE LTD

6 Prospect Way, Royal Oak Industrial, Estate Daventry, Northamptonshire, England, Nn118pl.



YouTube



Website

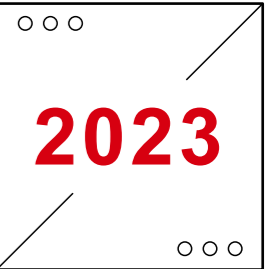


TikTok

Website: [www.asenware.com](http://www.asenware.com)  
[www.asenwarefire.com](http://www.asenwarefire.com)  
 Email: [info@asenware.com](mailto:info@asenware.com)



Since 2005, Fire Alarm and Suppression System Manufacturer & Complete Solution Provider.



## ASENWARE CATALOG

Since 2005  
Only for Fire Safety



**LPCB Conventional Fire Alarm Control System**  
AW-CFP2166



LPCB Approved Addressable Fire Alarm Control System  
AW-FP300



Addressable Fire Alarm Control System  
AW-FP100



Wired and Wireless Addressable Fire Alarm Control System  
AW-FP128



Centralized Monitoring Emergency Luminaire System

# Contents

01	Company Profile	27-28	Aspirating Smoke Detection System
02-06	LPCB Approved Addressable Fire Alarm Control System	29	Weatherproof Fire Alarm Devices
07-15	Addressable Fire Alarm Control System	30-34	ATEX Approved Explosion-Proof Fire Alarm Products
16-17	Addressable Explosion-proof Fire Alarm System	35-38	Fire Linear Heat Detection System
18	ASENWARE Global Fire Alarm Graphic Monitoring System	39	Voice Evacuation Control Panel and Speakers
19-23	LPCB Conventional Fire Alarm Control System	40	Fire Telephone System
24-26	Wireless Fire Alarm System		

# Contents

41-42	Centralized Monitoring Emergency Luminaire System	52-56	Water Based Fire Products
43-44	Detector Tester Series	57-58	ASTM A53 Seamless Steel Pipe & Fittings
45-47	Gas Suppression Release Control System	59	Foam Fire Extinguishing System
48	Fm200 Gas Fire Suppression system	60	Fire Hose Rack & Reel
49	Gas Extinguishing System	61	Hose Accessories & Fire Blanket
50	CO <sub>2</sub> Gas Extinguishing System	62	Sprinkler Series
51	Packaged Fire Pump System		



**Who is ASENWARE ?**

ASENWARE is the fire alarm system and fire suppression system manufacturer and whole fire safety solution provider since 2005.

Driven by a commitment to sound operations, ongoing innovation, and open collaboration, we have established a competitive fire safety products line including addressable fire alarm system, conventional fire alarm system, central monitoring emergency light system, fire telephone and voice evacuation system, fire pump, fire hose and gas suppression system.

Our fire safety products ,solutions and services are used in over 100 countries.

With over 200 employees work in United Kingdom-Marketing Center, China-R&D and Supply Chain Center , ASENWARE is committed to design and manufacture the best fire safety products to reduce the risk of fire, and support the world to be safer and more comfortable.

**What do we offer the world ?**

**We focus on the high quality products and services supply only.**

We always remember that quality is the cornerstone of our existence, and we will never reduce the quality for any reason.

Our products must comply with international standards, and must be stable and reliable in long term using.

We will continuously improve our products to be more excellent. In any time,we should not accept the poor quality results, or keep a poor quality work just because of the old experience. We should always think what is the best and how can do the best.

We must keep our promises for our customers, we must provide products, services and solutions to our customers with more than their expect.

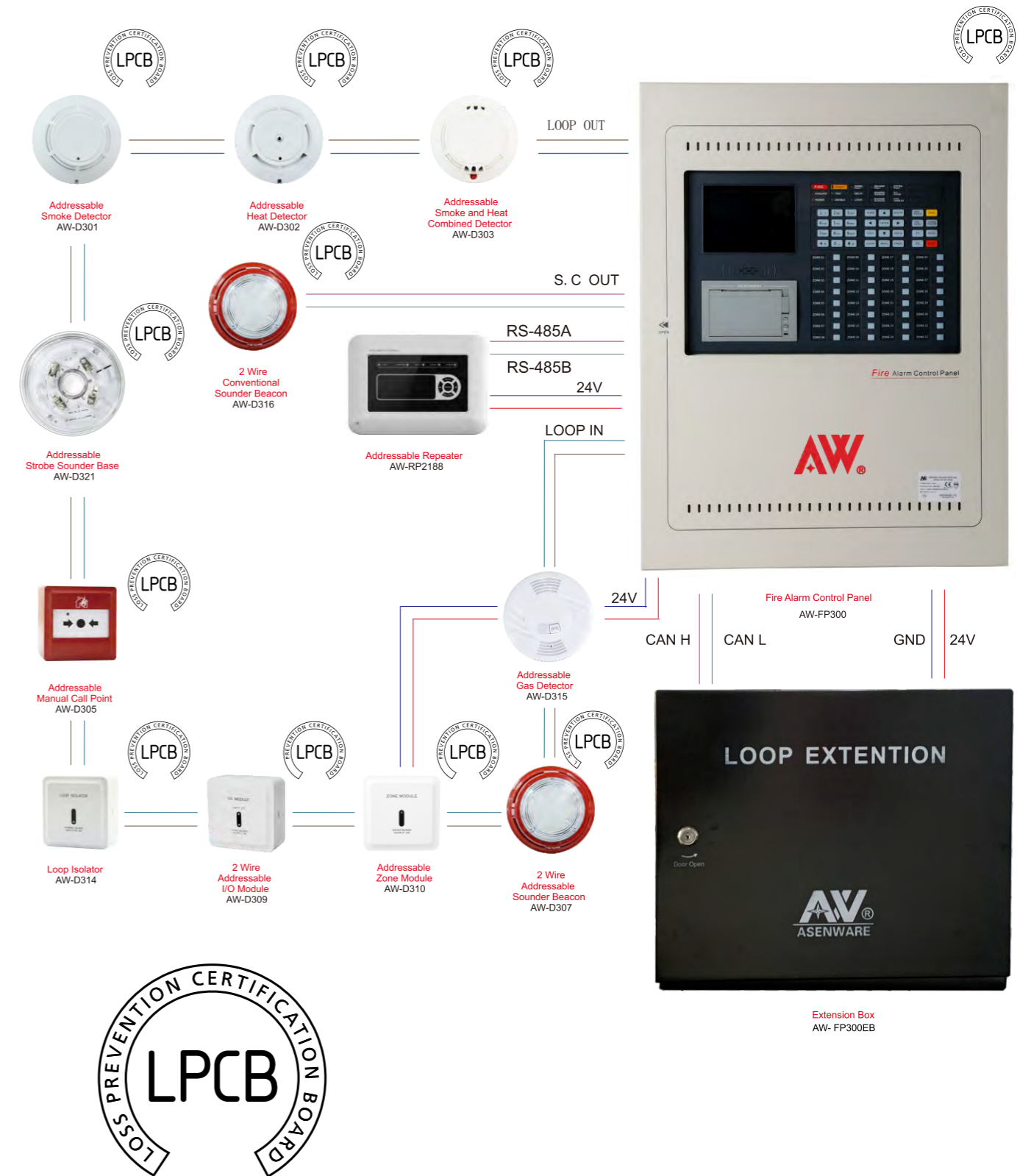
**We create value for our customers.**

We keep invest to design and update our products, every year we have new products and new solutions for fire safety market.

We focus on international standard and certificate fire safety products, until now we already got LPCB, TUV,BSI, Intertek CE, Bomba ,ATEX certificates for our different products.

Our products and services support wholesalers, project contractors and building owners. We set up a cloud website that can monitor all the running fire panels.Every agent, contractor, owner ,maintenance engineer can check the fire system real status and get emergency alarm by mobile phone or email.

We support to design the projects based on NFPA and other international standards. All projects are designed and verified by highly skilled engineering team. Moreover, we support our customers at site in different countries for commissioning and other necessary supports for the completion and submittal of the projects.



**AW-FP300 Fire Alarm Control Panel**

1-8 Loop Fire Panel



The purpose of the AW-FP300 Fire Alarm Control Panel (FACP) is to monitor input signals, give indications and possibly activate outputs as programmed. It is designed to comply with EN 54-2 and EN 54-4 with qualities of simple installation, operation and easy maintenance. The AW-FP300 panel is an addressable fire detection panel with 1 loop of 324 addressable points and expansion capabilities. It is compatible with other peripherals made by ASENWARE with its own protocol.

The AW-FP300 single loop 32 zone fire alarm control panel offers the following features
Up to 324 addresses in one loop, 648 addresses in two loops
Easy to read, 4.3" color screen LCD with a resolution of 480x272
Zone indication and control panel (ZCP) for 32 zones gives a quick indication of the location of an alarm or fault
Record capacity of 1000 historical events for each of historical fire, historical fault and historical operation
CAN bus for interconnection of up to 20 FACPs and RS-485 for connection with up to 30 fire indicating panels per FACP

**AW-FP312 Addressable Fire Alarm Control Panel**



The purpose of the AW-FP312 Fire Alarm Control Panel (FACP) is to monitor input signals, give indications and possibly activate outputs as programmed. It is designed to comply with EN 54-2 with qualities of simple installation, operation and easy maintenance. The AW-FP312 panel is an addressable fire detection panel with 1 loop of 120 addressable points and expansion capabilities. It is compatible with other peripherals with the same protocol.

The AW-FP312 addressable fire alarm control panel offers the following features
One loop with 120 addressable points
CAN network 20pcs panel
Graphic monitor



**Addressable Smoke Detector**  
AW-D301

Operating Voltage	Loop 24V(18V~28V)
Standby Current	≤0.3mA
Alarm Current	≤1.5mA (without remote indicator) ≤3.5mA (with remote indicator)
Fire LED	Red, Flash in polling, and illuminate in alarming.

**Addressable Heat Detector**  
AW-D302

Operating Voltage	Loop 24V(18V~28V)
Standby Current	≤0.3mA
Alarm Current	≤1.5mA (without remote indicator) ≤3.5mA (with remote indicator)
Fire LED	Red, Flash in polling, and illuminate in alarming.

**Addressable Smoke and Heat Combined Detector**  
AW-D303

Operating Voltage	24V(Pulse Modulation)
Operating Current	≤0.5mA (Monitoring Status) or ≤1.5mA (Alarm Status)
Protection Area	60m <sup>2</sup>
Installation Height	≤8m



**Addressable Zone Module**  
AW-D310

Operating Voltage	Signal Loop 24V(20V~28V) , Power 24VDC(20VDC~28VDC)
Standby Current	Loop < 0.5mA; Power < 15mA
Action Current	Loop < 2mA ; Power < 35mA
Operating Temperature	-10°C ~ +55°C
Relative Humidity	≤95% , non-condensing



**Addressable Strobe Sounder Base**  
AW-D321

Loop input	DC24V(20-28V)
Power consumption	≤0.2W@DC24V
Operating Temperature	-10°C ~ +55°C
Relative Humidity	≤95% , non-condensing



**4G GSM Module**  
AW-GSM200



**Addressable Gas Detector**  
AW-D315

Operating Voltage	12V-28V
Operating Current	35mA @ DC24V
Alarm Current	40mA @ DC24V
Operating Humidity	≤95%, without Condensation
Alarm Levels	Natural Gas, 10%LEL(±30%)



**4 Wire Addressable Sounder Beacon** AW-D306  
**2 Wire Addressable Sounder Beacon** AW-D307  
**2 Wire Conventional Sounder Beacon** AW-D316

Operating Voltage	24VDC(20V ~ 28V)
Operating Current	≤100mA
Power Consumption	≤3.2W@DC24V
EN54-23 Coverage	C-3-8/W-2.4-6
Flash Color and Frequency	White, 0.5Hz



**Addressable Manual Call Point**  
AW-D305

Operating Voltage	Signal Loop 24V(18V ~ 28V) Power 24VDC(20VDC ~ 28VDC)
Standby Current	Loop ≤ 0.8mA ; Power ≤ 2mA
Action Current	Loop ≤ 5mA ; Power ≤ 15mA
Output Capacity	1A@DC30V
Input Mode Setting	NC or NO input mode can be set by the jumper JP4.



**Programmer**  
AW-CODER2188

A device for giving specific ID to all the addressable accessories which need to be configured with AW-FP300 control panel.



**Addressable sounder beacon waterproof base**  
AW-BS03

Made of ABS material  
Complies with IP65 rating



**Loop Isolator**  
AW-D314

Line Voltage	16-28 VDC
Standby Current	≤3mA
Capacity	32 devices
Maximum Voltage At Which The Device Isolates	8 - 11V
Maximum Voltage At Which The Device Reconnects	1.4-4V



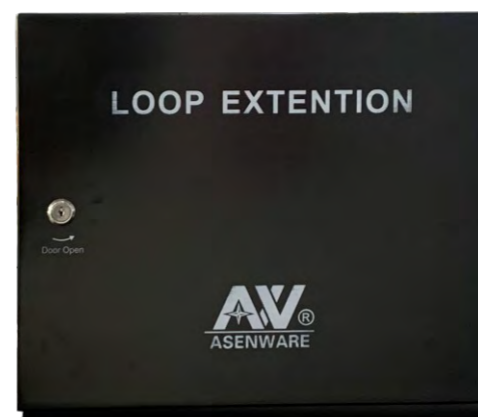
**4 Wire Addressable I/O Module** AW-D319  
**2 Wire Addressable I/O Module** AW-D309

Operating Voltage	Signal Loop 24V(18V~28V) Power 24VDC(20VDC~28VDC)
Standby Current	Loop ≤ 0.8mA ; Power ≤ 2mA
Action Current	Loop ≤ 5mA ; Power ≤ 15mA
Output Capacity	1A@DC30V
Input Mode Setting	NC or NO input mode can be set by the jumper JP4.



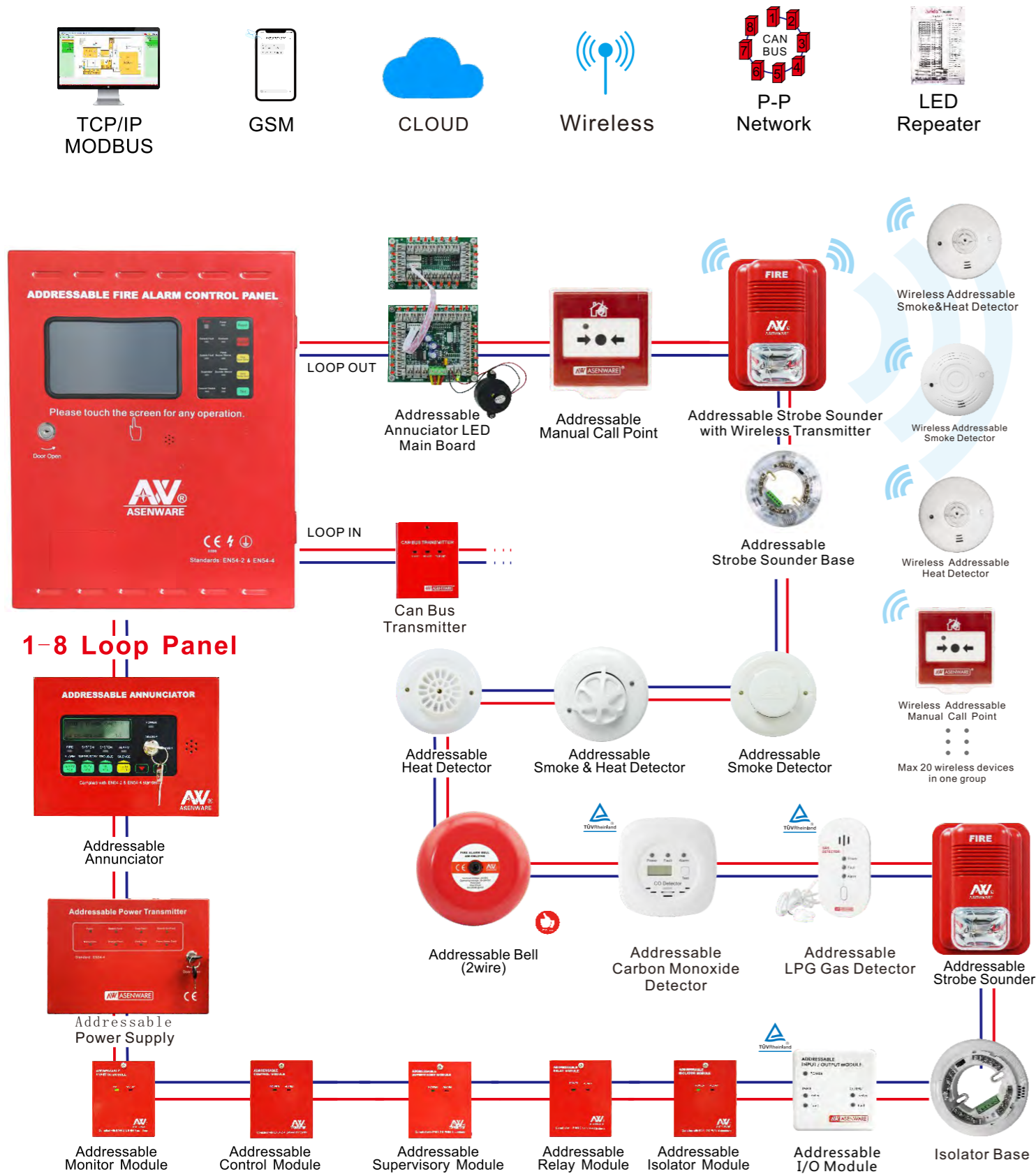
**Addressable Repeater**  
AW-RP2188

Power Supply	DC 24V ±20 %
Overall Power Consumption	≤3W
Working Temperature	-10°C ~ +50°C,
Relative Humidity	≤95% (40°C, non-condensing)



**Extension Box**  
AW-FP300EB

Extend 1 to 6 Loop cards



AW-FP100 Fire Alarm Control Panel  
1-8 Loop Fire Panel



Asenware AW-FP100 Series Fire Alarm Control Panel are intelligent panels which are designed to make it suitable for most of applications. The user friendly functionality makes it suitable to program and configure the devices. 7 " touchscreen display shows the information for fire alarm, trouble, supervisory and other related information all the time. AW-FP100 series can be configured with just a few devices for small building applications, or for a large area or high-rise application. Simply add additional equipment to suit the application like detectors, modules and other compatible devices. It is supplied with cabinet of IP 30 rating (standard). This panel fully comply with the requirement of EN 54-2 and EN 54-4.

The AW-FP100 fire alarm control panel offers the following features
7" Touchscreen LCD color display
250 intelligent detectors or modules for one loop circuit
Up to 8 Loop Cards can be installed and configured
2-Wire cable for all addressable devices
Network Available Options: GSM/IP/Cloud/Modbus
Graphic remote monitor access system

AW-FP200 Wired And Wireless Addressable Fire Alarm Control Panel



The AW-FP200 series addressable fire alarm control panel is designed with 7-inch LCD display touch screen with button operation, easy to operate, and nice human-computer interface. This machine can be connected to 8 loops. Each loop can be connected to 250 devices, such as smoke detectors, temperature detectors, input/output modules, each loop can be connected to 10 groups of wireless loops, a group of wireless loops can be connected to 20 devices, such as smoke detector, temperature detector, input and output module, etc.

The AW-FP200 fire alarm control panel offers the following features
7 inch color LCD display, touch screen operation
All addressable devices use a two-wire system
A wired loop can connect 250 wired addressable devices, including 10 groups of wireless loops.
One set of wireless loops can connect to 20 devices
Max 8 loop cards can be installed
Up to 999 records of history can be saved (save when power off)
Multiple access levels can be set
It has a rechargeable backup battery
Can simply judge the running status of the machine based on the LED lights
Automatic search device
Each of the 8 panels can be controlled remotely
USB software upper computer to check and set the device status and fire history records
It can bind 10 mobile phone numbers to receive panel alarm information. (The GSM module must be added)

AW-FP128 Wired And Wireless Addressable Fire Alarm Control Panel



AW-FP128 wired and wireless fire alarm control panel adopts 3.2-inch LCD screen, key operation, simple operation, beautiful man-machine interface. The wired circuit of the machine can be connected to 128 devices, 80 groups of wireless circuits, a wireless circuit can be connected to 20 wireless devices, such as smoke detector, temperature detector, input and output module, etc.

The AW-FP128 wired and wireless addressable fire alarm control panel offers the following features
3.2-inch LCD display screen operation.
All addressable devices use a two-wire system
A single loop can connect 128 wired addressable devices
Up to 999 records of history can be saved (save when power off)
There are four access levels
It has a rechargeable backup battery
Can simply judge the running status of the machine based on the LED lights
Automatic search device
Each of the 8 panels can be controlled remotely
USB software upper computer to check and set the device status and fire history records





**Addressable Smoke Detector**  
AW-D101

Operating Voltage	18V~28V DC
Standby Current	≤2.5mA
Alarm Current	≤3mA
Smoke Sensitivity	0.18-0.3dB/m



**Addressable Heat Detector**  
AW-D102

Operating Voltage	18V~28V DC
Standby Current	≤2.5mA
Fix Temperature Alarm	57°C(135°F)
Rate-of-Rise Alarm	7.1°C/5SA2R



**Addressable Smoke and Heat Detector**  
AW-D138

Operating Voltage	18V~28V DC
Standby Current	≤2.5mA
Smoke Sensitivity	0.18-0.3dB/m
Fix Temperature Alarm	57°C(135°F)
Rate-of-Rise Alarm	7.1°C/5SA2R



**Wireless Addressable Smoke Detector**  
AW-D603L

Operating Voltage	3V DC
Alarm level	≥85dB /3m
Smoke Alarm Sensitivity	0.18-0.3dBm
Fix Temperature Alarm	0 - 40°C (32~104°F)
Wireless transmit power	+20dB



**Wireless Addressable Heat Detector**  
AW-D604L

Operating Voltage	3V DC
Alarm level	≥85dB /3m
Fix Temperature Alarm	57°C (135°F) A2R
Rate-of-Rise Alarm	≥10°C/2M A2R
Wireless transmit power	+20dB



**Wireless Addressable Smoke & Heat Detector**  
AW-D605L

Operating Voltage	3V DC
Alarm level	≥85dB/3m
Fix Temperature Alarm	57°C (135°F) A2R
Rate-of-Rise Alarm	≥10°C/2M A2R
Wireless transmit power	+20dB



**Addressable Alarm Bell**  
AW-D109

Operating Voltage	18V~28V DC
Standby Current	≤3mA
Alarm Current	≤50mA
Alarm SPL	≥ 95 dB
Size	Dia. 150mm



**Addressable Strobe Sounder**  
AW-D106

Operating Voltage	18V~28V DC
Standby Current	≤3mA
Alarm Current	≤60mA
Alarm SPL	≥ 100 dB
Flash Period	1.0 Sec.



**Addressable Manual Call Point**  
AW-D135A

Operating Voltage	18V~28V DC
Working Current	≤4mA
IP Rating	IP30
Green LED indicator	Normal Condition
Red LED indicator	Alarm Condition



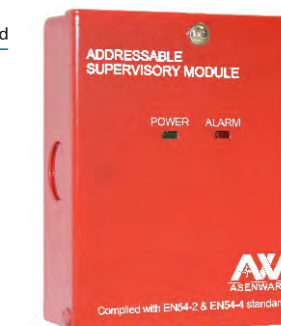
**Addressable Monitor Module**  
AW-D110

AW-D110 is an intelligent addressable monitor module, which can be configured with Asenware AW-FP100 Series Addressable Fire Alarm Control Panel. Each point (device) can be given specific ID or individual address, which allows the panel to continuously monitor specific location (point). The module can be connected to Asenware conventional manual call point and conventional detector.



**Addressable Supervisory Module**  
AW-D111

AW-D111 is an intelligent addressable supervisory module, which can be configured with Asenware AW-FP100 Series Addressable Fire Alarm Control Panel. Each point (device) can be given specific ID or individual address, which allows the panel to continuously monitor specific location (point). This module can be connected with conventional beam smoke detector, conventional flame detector, conventional gas detector.



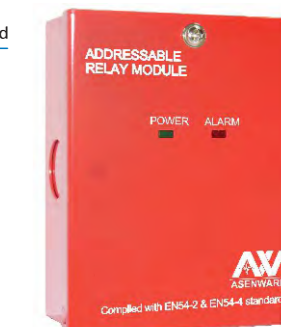
**Addressable Control Module**  
AW-D112

AW-D112 is an intelligent addressable control module, which can be configured with Asenware AW-FP100 Series Addressable Fire Alarm Control Panel. Each point (device) can be given specific ID or individual address, which allows the panel to give a voltage output signal(24VDC) to control FPE or any other devices. AW-D112 control modules provides a notification circuit to activate the notification devices conventional bell and Sounder strobe.



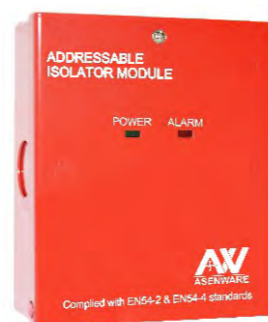
**Addressable Relay Module**  
AW-D113

AW-D113 is an intelligent addressable relay module, which can be configured with Asenware AW-FP100 Series Addressable Fire Alarm Control Panel. Each point (device) can be given specific ID or individual address, which allows the panel to give a relay output signal to control FPE or any other devices. AW-D113 control modules provides a fire signal with a dry-contact output for activating a variety of devices, such as fans, dampers, control equipment, etc.



**Addressable Isolator Module**  
AW-D114

AW-D114 is an intelligent addressable isolator module, which can be configured with Asenware AW-FP100 Series Addressable Fire Alarm Control Panel. AW-D114 short-circuit isolator module is used to make sure the short circuit on the branch of the loop cannot affect the normal operation of the loop circuit



**Addressable I/O Module**  
AW-D119

The AW-D119 I/O module is used with AW-FP100 series addressable fire alarm control panel. It is mainly used to realize an output control for fire linkage equipment (such as fire alarm bell and strobe horn) and receive the fire signal for the detector which connecting to this module through the input port. And it can receive the feedback signals of the fire linkage equipment so that a judgment on whether or not the fire linkage equipment is operating normally can be done.



**CAN Bus Transmitter**  
AW-D122

This CAN Bus Transmitter AW-D122 is designed for extend the distance of CAN Bus communication. It is suggested to be installed over each 400 meters.



**Addressable Annunciator**  
AW-D116

Features
Three lines in LCD, each line 40 characters
LED indication for alarm, fault and supervisory
Push buttons to acknowledge the silence
Lamp test from key switch



**Addressable LPG Gas Detector**  
AW-D132A

The gas detector is designed for single station use or for connecting to fire alarm or security alarm panel. Small and compact, the design and color makes it ideal for use in the home, small commercial properties, and recreational vehicles. It is intended to detect leakage of natural gas (methane gas), town gas, and bottled gas (propane gas). The gas detector can be mounted high (for methane gas) or low (for propane (LPG) gas). It is equipped with a sturdy mounting bracket for quick, easy and safe installation.



**Addressable Carbon Monoxide Detector**  
AW-D125A

The addressable carbon monoxide detector AW-D125A is an intelligent detector which can be configured with Asenware AW-FP100 series addressable fire alarm control panel. Each point (device) can be given specific ID, which allows the panel to continuously monitor specific detector location (point).



**Isolator base**  
AW-D115

AW-D115 isolator base (hereinafter referred to as AW-D115), mainly used to isolate a short circuit on the detector, to make sure other devices on the bus (including Loop in addressable system and 24VDC in conventional system) to ensure normal operation.



**Programmer**  
AW-PR101L



**Addressable Detector Strobe Sounder Base**  
AW-D120

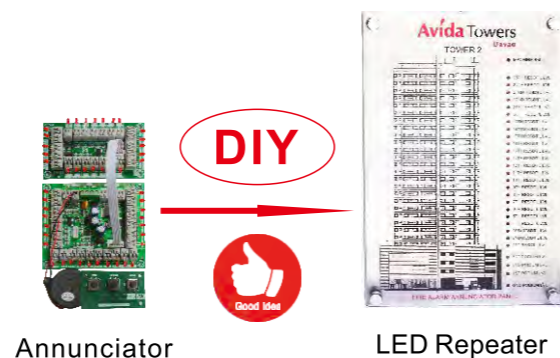


**4G GSM Module**  
AW-FP100GSM-4G

**Addressable Annunciator Board**

AW-D117&AW-D118

Features	
AW-D117	24 Zones Addressable Annunciator LED Main Board
AW-D118	24 Zones Addressable Annunciator LED Extension Board



**Addressable Power Transmitter**

AW-D121

Addressable Power Transmitter, an intelligent power supply, which is designed to provide auxiliary power when there is not enough power from panel to devices.

Features	
Addressable	
2.5A@24VDC output	
EN54-4 standard	
Include battery charger	
12V2.3AH*2 batteries optional	

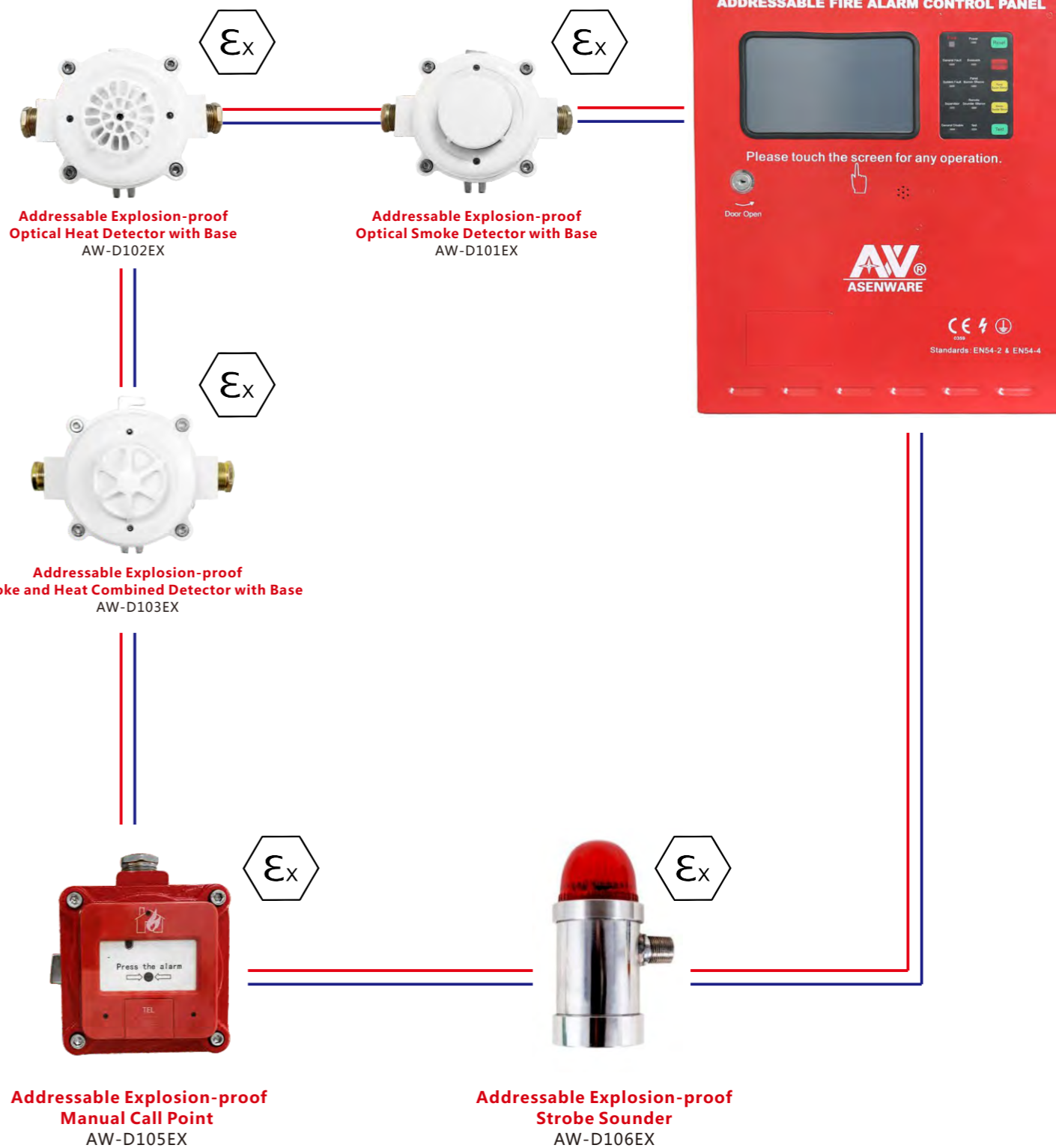


**Power Supply**

AW-D121C

The AW-D121C Power Supply is used with AW-CFP2166 series conventional fire alarm control panel. It is mainly used to increase the load capacity of the panel. And it can reset the output of 24VDC by 3 inputs (voltage free input, voltage input and RS485).

Features	
Surface mounting	
Working status indicators	
24VDC output short circuit protection function	
Selectable input modes to reset 24VDC out	
Compatible with the latest EN54-4 standard	

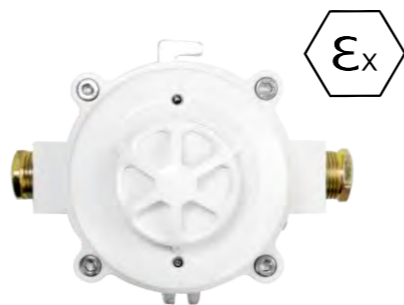




**Addressable Explosion-proof Optical Smoke Detector with Base**  
AW-D101EX



**Addressable Explosion-proof Optical Heat Detector with Base**  
AW-D102EX



**Addressable Explosion-proof Smoke and Heat Combined Detector with Base**  
AW-D103EX

Main Voltage:	Loop 24VDC
Operating current:	Monitor: ≤1.2mA Alarm: ≤2.5mA
Smoke Alarm Sensitivity:	0.18dB/m~0.3 dB/m
Ex-Atex Protection Level:	Gb/Exib Dt DA21 IP65 T85
Temperature range	-10 to 50°C

Main Voltage:	Loop 24VDC
Operating current:	Monitor: ≤1.2mA Alarm: ≤2.5mA
Fixed temperature:	alarm 57°C(135°F) A1R
Ex-Atex Protection Level:	Gb/Exib Dt DA21 IP65 T85
Rate-of-rise alarm:	7.1°C/5s A1R

Main Voltage:	Loop 24VDC
Operating current:	Monitor: ≤1.2mA Alarm: ≤2.5mA
Smoke Alarm Sensitivity:	0.18dB/m~0.3 dB/m
Ex-Atex Protection Level:	Gb/Exib Dt DA21 IP65 T85
Rate-of-rise alarm:	7.1°C/5s A1R



**Addressable Explosion-proof Strobe Sounder**  
AW-D106EX



**Addressable Explosion-proof Manual Call Point**  
AW-D105EX

Main Voltage:	Loop 24VDC
Operating current:	Monitor: ≤1.2mA Alarm: ≤650mA
SPL:	110dB-120dB
Ex-Atex Protection Level:	Gb/Exib Dt DA21 IP65 T85
Temperature range :	-10 to 50°C

Main Voltage:	Loop 24VDC
Alarm Current:	≤10mA
Ex-Atex Protection Level:	Exd II Ct6
Temperature range :	-20 to 50°C

Features
Support LAN and CLOUD mode
Multi Level Management
Automatically send fire or fault events Emails & SMS to the building managers, engineers or concerned person
CLOUD mode can monitor all running panels around the world
User-friendly , easy to operate and manage
Aesthetic design while maintaining the simplicity in drag and drop feature for devices to the layout

**AW-CFP2166 Conventional Fire Alarm Control Panel**

1-32 Zone Fire Alarm Panel



**Conventional Fire Alarm Control Panel 1 Zone**  
AW-CFP2166-1

**Conventional Fire Alarm Control Panel 2/4 Zone**  
AW-CFP2166-2  
AW-CFP2166-4

**Conventional Fire Alarm Control Panel 6/8 Zone**  
AW-CFP2166-6  
AW-CFP2166-8

**Conventional Fire Alarm Control Panel 12/16/32 Zone**  
AW-CFP2166-12  
AW-CFP2166-16  
AW-CFP2166-20  
AW-CFP2166-24  
AW-CFP2166-28  
AW-CFP2166-32

Features
AW-CFP2166 series conventional fire alarm panel is designed based on EN54 part 2&4 standard.
It is modularized design, the panel can expand from 1 zone to 32 zones easily.
It has 2 levels control mode by a lock.
It has an optional GSM module for fire alarm by SMS.



**Conventional Photo-Electric Smoke Detector**  
AW-CSD381

Main Voltage	Zone 24V / 12V
Monitoring Status	≤120uA
Alarm Status	≤15mA
Alarm Sensitivity	0.1 to 0.15 dB/m



**Conventional Photo-Electric Smoke Detector**  
AW-CSD311

Main Voltage	Zone 24V / 12V
Monitoring Status	≤120uA
Alarm Status	≤15mA
Alarm Sensitivity	0.18 ~ 0.3 dB/m



**Rate of Rise Temp Heat Detector ROR/A2R**  
AW-CTD382

Main Voltage	Zone 12V/24V DC
Monitoring Status	≤120uA
Alarm Status	≤15mA
Fix Temperature Alarm	57°C(135°F)
Rate of Rise Alarm	7.1 °C/5s



**Rate of Rise Temp Heat Detector ROR/A2R**  
AW-CTD321

Main Voltage	9-28V DC
Monitoring Status	≤120uA
Alarm Status	≤15mA
Fix Temperature Alarm	57°C(135°F)
Rate of Rise Alarm	7.1 °C/5s



**Conventional Manual Call Point**  
AW-D135C

Operating Voltage	18V~28V DC
Working Current	≤4mA
IP Rating	IP30
Green LED indicator	Normal Condition
Red LED indicator	Alarm Condition



**Horn Strobe**  
AW-CSS2166-2

Operating Voltage	12-26VDC
Operating Current	≤60 mA
Sound Level	≥85dB at 10 feet
Flash Period	≤1.0 S



**Conventional Sounder Beacon**  
AW-D316

Operating Voltage	24VDC(20V ~ 28V)
Operating Current	≤100mA
EN54-21 Coverage	C-3-8/W-2.4-6
Flash Color and Frequency	White, 0.5Hz
Light Output Synchronization	Meets EN54-23



**6 Inch Fire Bell**  
AW-CBL2166-6

Working Voltage	20V-28V DC
Working Current	≤60mA @ 24V DC
Sound Level	≥90dB
Polarized with 2 diodes	



**8 Inch Fire Bell**  
AW-CBL2166-8

Working Voltage	20V-28V DC
Working Current	≤60mA @ 24V DC
Sound Level	≥100dB
Polarized with 2 diodes	



**Horn Strobe**  
AW-CSS2166-4

Operating Voltage	12/24VDC
Operating Current	≤100 mA
Sound Level	≥85dB at 10 feet
Flash Period	≤2.0 S
IP Rating	IP33



**Horn Strobe**  
AW-CSS2166-5

Operating Voltage	12V/24V DC
Operating Current	≤350 mA
Sound Level	≥112dB at 10 feet
Flash Period	≤2.0 S
Alarm Sound Types	1 Kinds



**Conventional Strobe Sounder**  
AW-CSS2166-3

Operating Voltage	DC15V-30V
Operating Current	30mA
Sound Level	≥ 88dB
Flash Period	≤2.0S
Alarm Sound Types	1 kind



**Standalone Wireless Battery Wifi Smoke Detector**  
AW-D611W

Operating voltage	9VDC
Monitoring Status	≤8uA
Alarm Status	≤400mA
Alarm SPL	≥85dB@3m



**Standalone Smoke Detector With Blister Pack**  
AW-D611

Operating voltage	9VDC
Monitoring Status	≤8uA
Alarm Status	≤20mA
Alarm Sensitivity	0.18 ~ 0.26 dB/m



**10 Years Standalone Smoke Detector**  
AW-D615

Operating voltage	3VDC
Monitoring Status	≤8uA
Alarm Status	≤20mA
Alarm Sensitivity	0.18 ~ 0.30 dB/m



**Repeater**  
AW-CRP2166

Operating Voltage	18V-28V DC
Communication Mode	RS485
Working Humidity	≤93% non-condensing
Working Temperature	-10°C ~ + 50°C
Size	190*270*30mm
GSM module	Optional



**Entrance LED Indicator**  
AW-EL102

Operating Voltage	2.5VDC
Operating Current	≤5mA
Product Size	70.5*36* 38 mm
Embedded Hole Size	Length:26.5mm Width: 55.5 mm Depth:> 8mm



**Conventional UV Flame Detector**  
AW-FD602-UV

Operating Voltage	12V - 30V DC
Standby Current	≤10 mA
Alarm Current	≤30 mA
Detection Range	Grade I, 25m@flame



**Wireless Addressable Smoke Detector**  
AW-D603L

Operating Voltage	3V DC
Alarm level	≥85dB /3m
Smoke Alarm Sensitivity	0.18-0.3dBm
Fix Temperature Alarm	0 - 40°C (32~104°F)
Wireless transmit power	+20dB



**Wireless Addressable Heat Detector**  
AW-D604L

Operating Voltage	3V DC
Alarm level	≥85dB /3m
Fix Temperature Alarm	57°C (135°F) A2R
Rate-of-Rise Alarm	≥10°C/2MA2R
Wireless transmit power	+20dB



**Wireless Addressable Smoke & Heat Detector**  
AW-D605L

Operating Voltage	3V/DC
Alarm level	≥85dB /3m
Fix Temperature Alarm	57°C (135°F) A2R
Rate-of-Rise Alarm	≥10°C/2MA2R
Wireless transmit power	+20dB



**4G GSM Module**  
AW-GSM200

Main-Voltage	9-28VDC
Operating current	≤200mA
Temperature range	-5°C to 40°C
Ambient Humidity	5-95% RH



**Conventional Combined Smoke And Heat Detector**  
AW-D138C

Operating voltage:	9-28VDC @Zone
Standby Current:	≤120uA @Zone 24VDC
Maximum Alarm Current (LED on)	≤ 15 mA @Zone 24VDC



**10 Years Standalone Battery Heat Detector**  
AW-D616

Operating voltage:	3VDC
Monitoring Status	≤8uA
Alarm Status	≤20mA
Alarm SPL	≥85db@3m



**Standalone Heat Detector**  
AW-D612

Main Voltage	9V DC
Monitoring Status	≤8uA
Alarm Status	≤20mA
Weight	about 120g



**Conventional 4 Wire CO detector**  
AW-D125C  
**Standalone battery CO detector**  
AW-D125S

Operating Voltage	9V-28V DC
Standby Current	120uA
Alarm Current	20mA
Detection Range	≥ 100PPM



**220V Standalone LPG Gas Detector**  
AW-D132  
**Addressable LPG Gas Detector**  
AW-D132A  
**24V DC 4 wire LPG Gas Detector**  
AW-D132C-4W

Operating Voltage	24V DC
Temperature	-10°C to +50°C
Sound Level	85dB @3m
Ambient Humidity	≤95% RH
Gas Detection	CH4/LNG

**4 Wire Conventional UV Flame Detector**  
AW-D146R

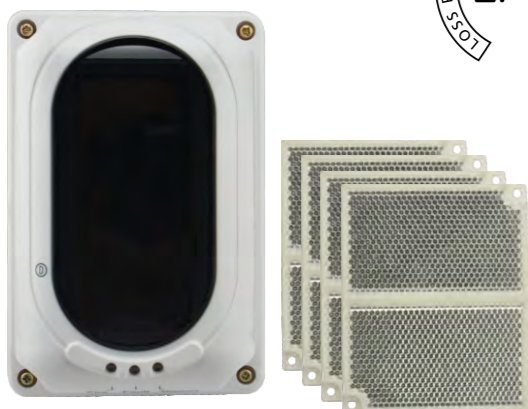


This UV flame detector uses the best flame sensor. It has sensitive response and large detection angle, and it is consistent and long-term stable and reliable. The red LED indicators on the flame detector provide local 360° visual alarm indication.

Operating Voltage	DC12-28V
Alarm level	≥85dB /3m
Sensitivity	Grade 1
Operating Temperature	-10°C~50°C



**Beam Smoke Detector**  
AW-BK901



The AW-BK901 infrared linear reflex beam smoke detector, is being designed for fire prevention in the open area, is used with the fire alarm control panel. The detector is made up of the combination unit of the emitter and the receiver as well as the reflecting mirror. The signal issued by the emitter enters into the receiver after reflection by the reflector.

Operating Environment	
Power supply voltage: 16V-28VDC	Alarm current <33mA
Overall power consumption: <3W	Debug current <20mA
Monitoring current 12mA	
Use conditions: Temperature: -10°C~ +50°C , Relative humidity <95%	
Protective area: The maximum protective area of the detector is 1400m <sup>2</sup> (14x100=1400m <sup>2</sup> ) and the maximum width is 14m.	
AW-BK901-20 20meters with 1 reflector	
AW-BK901-40 40meters with 1 reflector	
AW-BK901-70 70meters with 4 reflectors	
AW-BK901-100 100meters with 4 reflectors	



**Dust Smoke Detector**  
AW-CSD313



**Wireless Conventional Fire Alarm Control Panel**  
AW-CFP2166-4W

**AW-CFP2166-4W Wireless version features:**

1. Can connect both wired and wireless devices
2. Each zone can connect up to 20 wireless devices and 20 wired devices, increasing the capacity of each zone
3. Connect wireless devices, save cost
4. Wireless detectors are low power and can be used for up to 5 years
5. Each wireless detector contains a sounder, Alarm > 75db
6. The control panel can remotely reset and mute the wireless detector

Max 20 wireless devices in one group



Addressable Strobe Sounder with Wireless transmitter



Wireless Addressable Smoke & Heat Detector



Wireless Addressable Smoke Detector



Wireless Addressable Heat Detector



Wireless Manual Call Point



**Wireless Addressable Smoke Detector**  
AW-D603L

Operating Voltage	3V DC
Alarm level	≥85dB /3m
Smoke Alarm Sensitivity	0.18-0.3dBm
Fix Temperature Alarm	0 - 40°C (32~104°F)
Wireless transmit power	+20dB



**Wireless Addressable Heat Detector**  
AW-D604L

Operating Voltage	3V DC
Alarm level	≥85dB /3m
Fix Temperature Alarm	57°C (135°F) A2R
Rate-of-Rise Alarm	≥10°C/2M A2R
Wireless transmit power	+20dB



**Wireless Addressable Smoke & Heat Detector**  
AW-D605L

Operating Voltage	3V DC
Alarm level	≥85dB /3m
Fix Temperature Alarm	57°C (135°F) A2R
Rate-of-Rise Alarm	≥10°C/2M A2R
Wireless transmit power	+20dB



**Wireless Strobe Sounder**  
AW-D106A

Operating Voltage	Loop 24V
Operating Frequency	428MHz to 438MHz
Protection class	IP30
Alarm SPL	≥ 100 dB
Flash Period	1.0 Sec.



**Wireless Manual Call Point**  
AW-D135W

Operating Voltage	3V DC
Operating Frequency	428MHz to 438MHz
IP Rating	IP30
Green LED indicator	Normal Condition
Red LED indicator	Alarm Condition



**Wireless Addressable Programmer**  
AW-PR101L



**Wireless Conventional Fire Alarm Control Panel**  
AW-CFP2166-4W



**Wireless Addressable Smoke Detector**  
AW-D603L



**Wireless Addressable Heat Detector**  
AW-D604L



**Wireless LoRa WIFI Transmitter**  
AW-D139



**Wireless Addressable Smoke Detector**  
AW-D603L



**Wireless Addressable Heat Detector**  
AW-D604L



**Addressable Strobe Sounder with Wireless Transmitter**  
AW-D106A



**Wireless Addressable Smoke and Heat Detector**  
AW-D605L



**Wireless Addressable Manual Call Point**  
AW-D135W



**Wireless Addressable Smoke and Heat Detector**  
AW-D605L



**Wireless Addressable Manual Call Point**  
AW-D135W

- • Max 20
- • Wireless devices
- • In one zone

- • Max 20
- • Wireless devices
- • In one zone



**Standalone Wireless Battery Wifi Smoke Detector**  
AW-D611W



**Wireless Addressable Fire Alarm Control Panel**  
AW-FP128



**Wireless Addressable Smoke Detector**  
AW-D603L



**Wireless Addressable Heat Detector**  
AW-D604L



**Addressable Strobe Sounder with Wireless Transmitter**  
AW-D106A



**Wireless Addressable Smoke and Heat Detector**  
AW-D605L



**Wireless Addressable Manual Call Point**  
AW-D135W

- • Max 20
- • Wireless devices
- • In one group



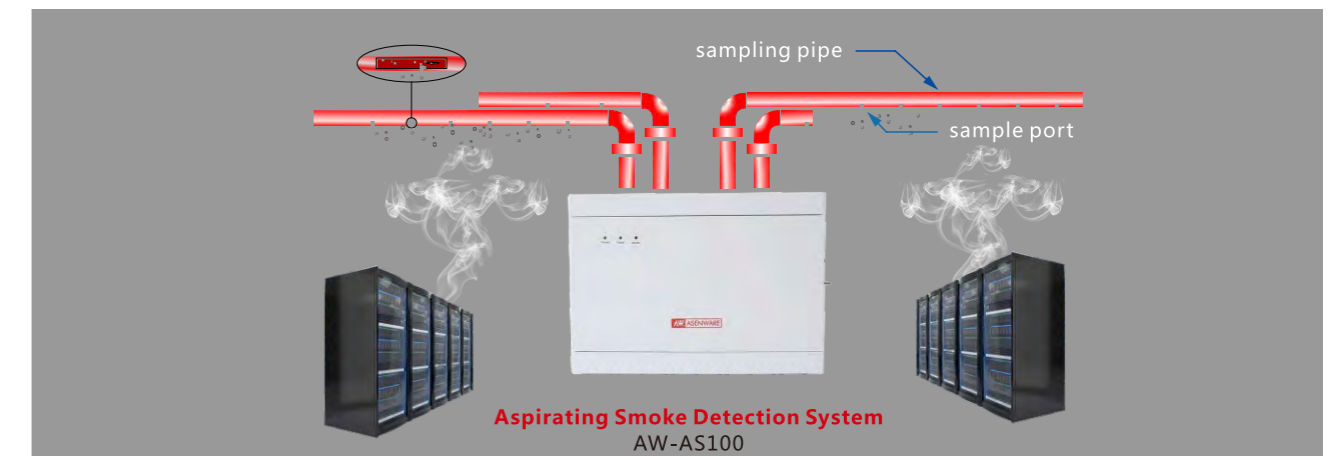
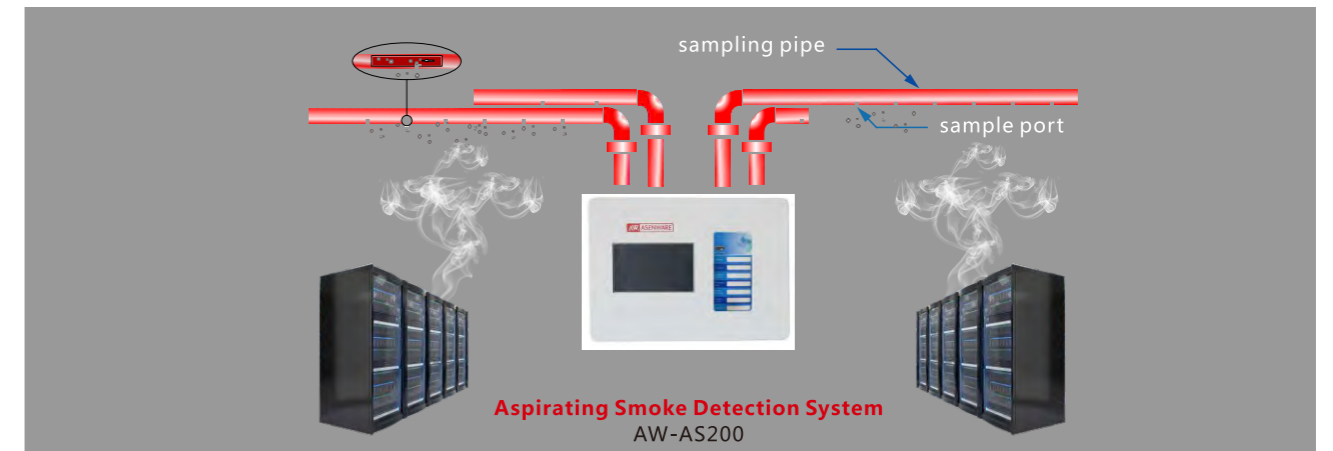
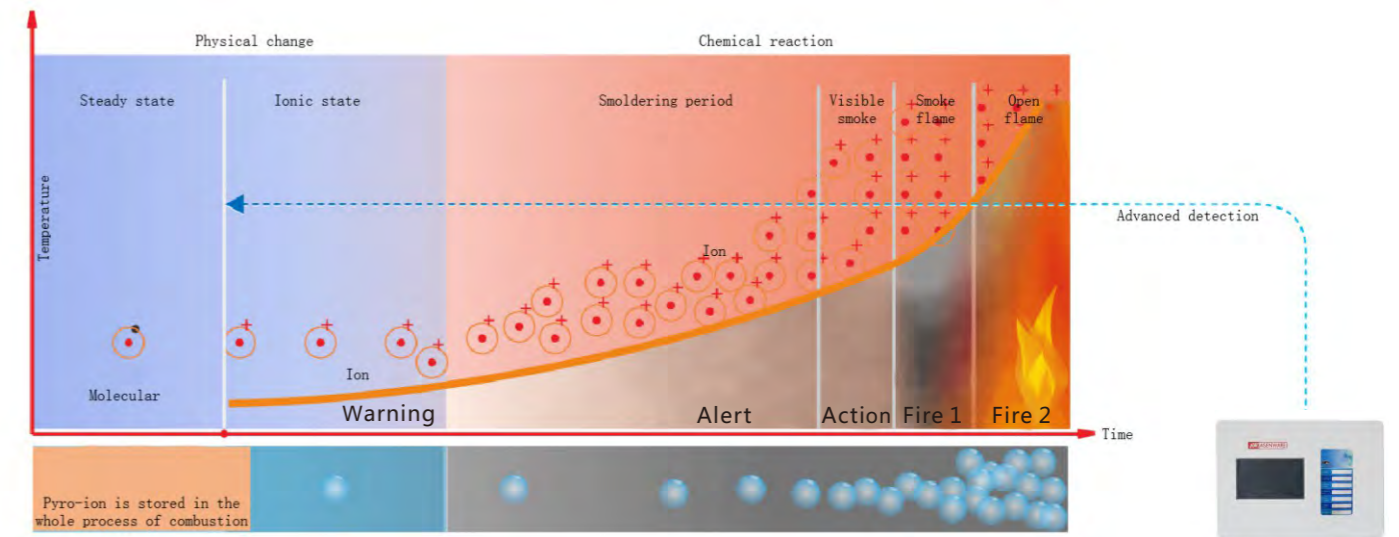


**Aspirating Smoke Detection System**  
AW-AS200



**Aspirating Smoke Detection System**  
AW-AS100

**Combustion analysis:**



Advantages
Earlier detection with high sensitivity
Immunity to false alarms
Cost-effective maintenance solution

Features
Cloud Chamber principle
7 inch color touch screen
More than 10 years service life
Automatic cleaning function
Convenient maintenance solution
Multifunctional network solutions



**Weatherproof Fire Alarm Series**

Features
Weather proof
Dustproof
Good sealing
Factory direct sales
Quality assurance

**Explosion-Proof Infrared Beam Smoke Detector**  
AW-BK901EX



The AW-BK901EX type explosion-proof infrared beam smoke detector is a non-coded reflective linear infrared beam smoke detector. The detector must be used in conjunction with the reflector, and one or four reflectors should be used according to the installation distance between the two devices. The detector has advanced functions and powerful analysis and judgment capabilities. Through our original program, it can automatically complete system debugging, compensation for changes in the external environment, fire alarm and fault judgment, and the output status is displayed through indicator lights and terminals.



Features
Newest and reasonable structure design
Sensitive adjustment, accurate positioning
Good performance, easy to install



**Horn Strobe**  
AW-CSS2166-4W



**Smoke detector Weatherproof base**  
AW-WB02

**Applicable Products**  
Suitable for most models of smoke detector

Features
Diameter: 116mm
Inner diameter: 112.5mm
Aperture: 34mm
Height: 64mm



**Explosion-proof fire alarm bell**  
AW-CBL2166EX

Main Voltage	24 VDC
Operating current	Alarms≤25 mA
Ex-Atex Protection Level	Exd II CT6 Gb
Size (L*W*H)	260* 152* 80mm



**Explosion-proof safety barrier**  
AW-D137EX

Main Voltage	DC 24V
Operating current	Alarms≤25 mA
Ex-Atex Protection Level	Exd II CT6 Gb
Size (L*W*H)	260* 152* 80mm



**Explosion-proof strobe sounder**  
AW-CSS2168EX

Main Voltage	DC 24V
Operating current	Alarms≤250 mA
Ex-Atex Protection Level	Exd II CT6 Gb
Size (L*W*H)	260* 152* 80mm

**Applicable Products**

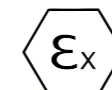


**Weatherproof Box**  
AW-WB001



**Conventional Manual Call Point**  
AW-D135C

Features
Protection level:IP67
Function:Dust-proof ; Rain-proof
L*W*H:176*125*72mm

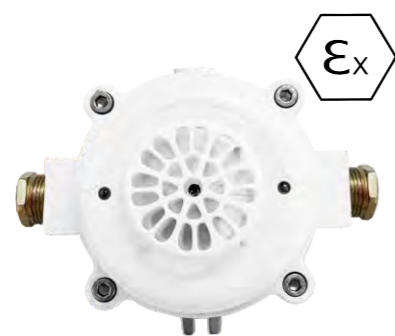


**Explosion-proof Siren**  
AW-SP04EX

Main Voltage	24 VDC
Alarm Current	≤600 mA
Atmospheric Pressure	80kPa ~ 110kPa
Outlet Thread	G1/2



**Explosion-proof optical smoke detector**  
AW-CSD381EX



**Explosion-proof heat detector**  
AW-CTD382EX



**Explosion-proof smoke and heat combined detector**  
AW-D138EX

Model No.	AW-CSD381EX	AW-CTD382EX	AW-D138EX
Operating Voltage	DC24V ±3V(polarity)	DC24V ±3V(polarity)	DC24V ±3V(polarity)
Explosion-proof mark	Gb/ExibDtDA21IP65T85		
Monitoring Current	≤60μA	≤60μA	≤60μA
Alarm Current	10mA~30mA	10mA~30mA	≤30mA
Power Time	≤10S	≤10S	≤10S
Working Humidity	≤95% non-condensing	≤95% non-condensing	≤95% non-condensing
The outlet thread	G20	G20	G20



**Explosion-proof weatherproof strobe sounder**  
AW-CSS2167EX



**Explosion-proof manual call point**  
AW-D135EX

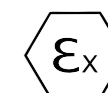


**Explosion-proof fire strobe**  
AW-CSS2166EX

Model No.	AW-CSS2167EX	AW-D135EX	AW-CSS2166EX
Operating Voltage	DC24V	DC24V	DC 24V
Standby Current	≤650mA	10mA	≤50mA
Operating Humidity	≤95% non-condensing	≤95% non-condensing	≤95% non-condensing
Working Temperature	-20 °C ~ + 50°C	-20 °C ~ + 50°C	-20°C~+50°C
Sound Pressure Level	110-120dB	N/A	N/A
Size	82mm, Height:170mm	130*135*64mm	152mm, Height:165mm

**Explosion-Proof Gas Detector**

AW-CGD2166EX



AW-CGD2166EX intelligent digital readout transmitter is a four-wire system and meets the international standard digital transmitter which can convert the gas concentrations into standard a 4-20mA current signal. It's suitable for the industrial LED to display and the sensor is easy to use and plug and play. AW-CGD2166EX has many advantages: high performance, stable and reliable operation, easy to install and maintain, and it can measure full range of gas and so on, which can meet the high demand in the industrial site safety monitoring. It's widely used in petroleum, chemical, engineering, metallurgy, petrochemical, gas transmission and distribution, biochemical, medicine, water treatment and other industries.



**Types of Combustible Gas**

CH4	C3H8	C6H14	Gasoline	C2H6O
CH4O	C3H6	C7H16	Mixture	CH2CL2
C7H8	C3H6O	C8H18	C10-H16	C4H8O2
C2H6	C4H10	C6H6	C4H10	C6H12O2
C2H4	C4H8O	C8H10	C3H8O	C2H4O
C2H2	C4H6	C8H12	C2H5CL	C3H6O
C2H6O	C5H12	H2	Br2	Prop+But

**Types of Toxic Gas**

CO	O2	O3	H2S	H2
CL2	NH3	SO2	NO	NO2
CH2O	HCL	HCN	EX	NH3



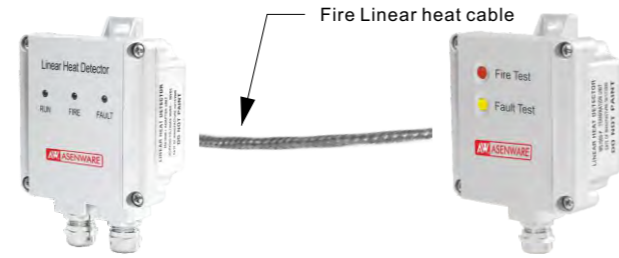
Product Name	Explosion-proof ultraviolet & infrared 3 flame detector	Explosion-proof Ultraviolet Flame Detector
Model	AW-FD704EX	AW-FD706EX
Spectrum Range	UV(185-260nm),IR (3.8um/4.3um/5.0um)	UV 185-260nm
Detection Angle	120°	120°
Sensitivity Level	Grade I	Grade I
Main Voltage	24VDC(18-30VDC)	24VDC(18-30VDC)
Ex-Atex Protection Level	Exd IIC T6 Gb/Ex tD A21 T80°C	Exd II C T6 Gb/tD A21 IP66 T80°C
Protection class	IP66/IP67	IP66/IP67
Environmental	Temperature range: -10 to 55°C (14~131°F) -40 to 70°C (-40~158°F, Enhance Type) Humidity: 0 to 96% RH, non-condensing	Temperature range: -40°C ~ 70°C Storage temperature range:(-40~-85°F) Humidity: 0 ~ 96%RH (non-condensing)
Electrical Interface	RS-485/RS-232 ; HART	1x3/4NPT, M25*1.5,G3/4, optional
Size	119mm* 141mm* 120mm	120mm* 95mm* 85mm
Weight	About 3 Kg	About 3 Kg
Remote control function	Adjust the sensitivity level: 1 to level 3 Automatic reset	



Product Name	Explosion-proof Ultraviolet & Infrared Combined Flame Detector	Explosion-proof Infrared 3 Flame Detector
Model	AW-FD707EX	AW-FD708EX
Spectrum Range	UV 185-260nm IR 4.3-5.0µm	IR 3.8-5.0µm
Detection Angle	120° 40m	90° 40m
Sensitivity Level	Grade I	Grade I
Main Voltage	24VDC(18 to 30VDC )	24VDC(18 to 30VDC )
Ex-Atex Protection Level	Exd II C T6 Gb/tD A21 IP66 T80°C	Exd II C T6 Gb/tD A21 IP66 T80°C
Protection class	IP66/IP67	IP66/IP67
Environmental	Temperature range: -40 to 70°C (-40~158°F) Humidity: 0 to 96% RH, non-condensing	Temperature range: -40 to 85°C Humidity: 0 to 96% RH, non-condensing
Electrical Interface	1x3/4NPT, M25*1.5,G3/4, optional	1 × 3/4NPT、M25*1.5、G3/4 (Adapters can be customized according to requirements)
Size	120mm* 95mm* 85mm	120mm* 95mm* 85mm
Weight	About 3 Kg	About 3 Kg
Remote control function	Adjust the sensitivity level: 1 to level 3 Automatic reset	



**Conventional Fire Alarm Control Panel**  
AW-CFP2166-4



**Interface Module**  
AW-D401

**End of line Module**  
AW-D402



**Fire Linear Heat Cable**

- AW-D4068(68°C)
- AW-D4088(88°C)
- AW-D4105(105°C)
- AW-D4138(138°C)
- AW-D4180(68/88/105/138/180°C)

**Linear Heat Detection Cable**

Features	
Line coverage...	continuous sensitivity.
Six alarm temperature ratings.	
Withstands severe environmental conditions.	
Approved for hazardous locations.	
Easy to install, test.	
Compatible with other devices on same circuit.	



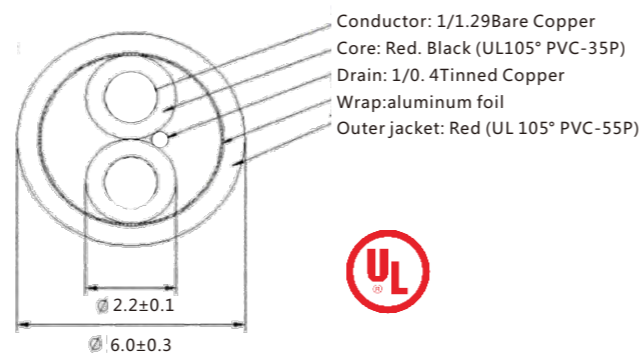
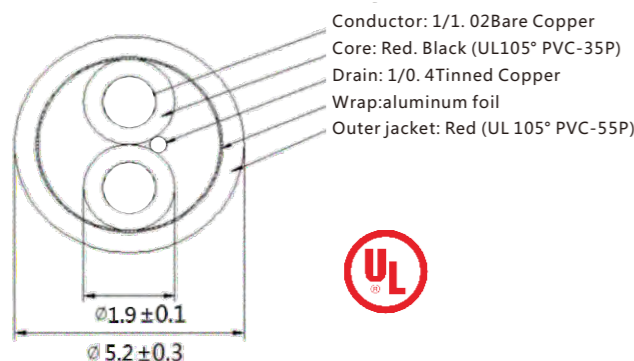
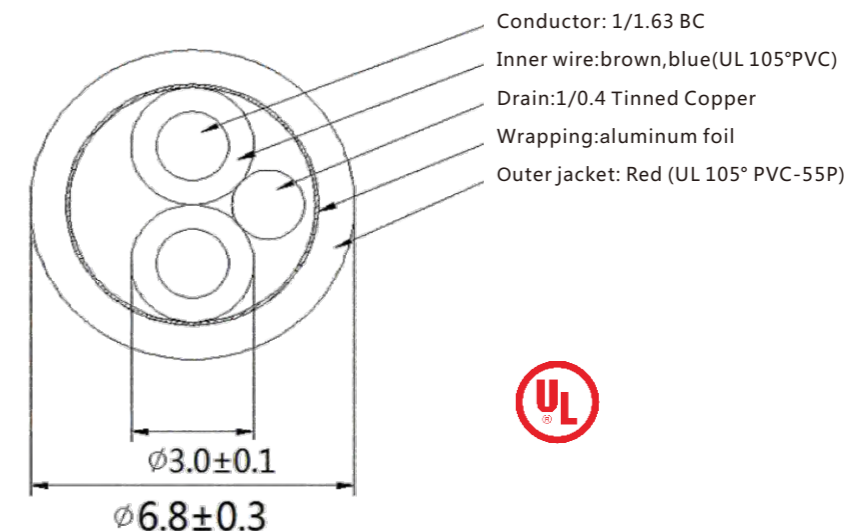
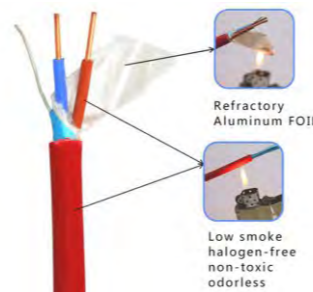
Dimensions	90mm×85mm×52mm
Operating environment	Temperature:-45°C--+60°C
Relative humidity	95%
IP Rating	IP66

Operating Voltage	No Electronics
Operating environment	Temperature:-45°C--+60°C
Relative humidity	95%
IP Rating	IP66

Model	AW-D4068 (Conventional Type 68°C)	AW-D4088 (Conventional Type 88°C)	AW-D4105 (Conventional Type 105°C)	AW-D4138 (Conventional Type 138°C)	AW-D4180 (Conventional Type 180°C)
	AW-D4068-P (CR/OD Type 68°C)	AW-D4088-P (CR/OD Type 88°C)	AW-D4105-P (CR/OD Type 105°C)	AW-D4138-P (CR/OD Type 138°C)	AW-D4180-P (CR/OD Type 180°C)
	AW-D4068-E (EP Type 68°C)	AW-D4088-E (EP Type 88°C)	AW-D4105-E (EP Type 105°C)	AW-D4138-E (EP Type 138°C)	AW-D4180-E (EP Type 180°C)
Parameter					
Alarm Temperature	68°C	88°C	105°C	138°C	180°C
Ambient temperature (Max)	45°C	60°C	75°C	93°C	121°C
Ambient Temperature (Min)	-55°C for CR/OD Type -40°C for Conventional and EP Type	-55°C for CR/OD Type -40°C for Conventional and EP Type	-55°C for CR/OD Type -40°C for Conventional and EP Type	-55°C for CR/OD Type -40°C for Conventional and EP Type	-55°C for CR/OD Type -40°C for Conventional and EP Type
Storage Temperature	UP TO 45°C	UP TO 45°C	UP TO 70°C	UP TO 70°C	UP TO 105°C
Alarm Deviation	±3°C	±5°C	±5°C	±5°C	±8°C
Alarm Response Time (s)	10 (Max)	10 (Max)	15 (Max)	20 (Max)	20 (Max)

**Fire Proof Cable**

Features
Oxygen-free Copper
High temperature resistance
Halogen and smoke free
Quality Assurance



Model	AW-FPLR2X1.0(18 AWG)
Conductor	1/1.02 solid bare copper
Max conductor resistant $\Omega$ /KM (20°C)	21.4
Insulation thickness	0.38 mm
Min insulation thickness	0.33 mm
Inner wire	brown, blue (flame retardant PVC)
Wire numbers	2 core
Drain wire	0.4mm tinned copper
Wrapping	Al-foil
Jacket	red (flame retardant PVC)
OD	5.2±0.3 mm
Jacket thickness	0.58 mm
Min jacket thickness	0.46 mm
Rated temperature	105°C
Rated voltage	300V
Fame retardant rating	Vw-1
Application	fire alarm systems

Model	AW-FPLR2X1.5 (16 AWG)
Conductor	1/1.29 solid bare copper
Max conductor resistant $\Omega$ /KM (20°C)	13.5
Insulation thickness	0.44 mm
Min insulation thickness	0.39 mm
Inner wire	brown, blue (flame retardant PVC)
Wire numbers	2 core
Drain wire	0.4mm tinned copper
Wrapping	Al-foil
Jacket	red (flame retardant PVC)
OD	5.8±0.3 mm
Jacket thickness	0.64 mm
Min jacket thickness	0.52 mm
Rated temperature	105°C
Rated voltage	300V
Fame retardant rating	Vw-1
Application	fire alarm systems

Model	AW-FPLR2X2.5 (14 AWG)
Conductor	1/1.63 solid bare copper
Max conductor resistant $\Omega$ /KM (20°C)	8.45
Insulation thickness	0.51 mm
Min insulation thickness	0.46 mm
Inner wire	brown, blue (flame retardant PVC)
Wire numbers	2 core
Drain wire	0.4mm tinned copper
Wrapping	Al-foil
Jacket	red (flame retardant PVC)
OD	6.8±0.3 mm
Jacket thickness	0.74 mm
Min jacket thickness	0.62 mm
Rated temperature	105°C
Rated voltage	300V
Fame retardant rating	Vw-1
Application	fire alarm systems

**Voice Evacuation Control Panel**  
AW-VP350

AW-VP350 Voice Evacuation Control Panel and speakers are standalone public audio system for emergency evacuation. When get alarm input from other fire alarm system or security alarm system, it can play the pre-recorded audio track to the speakers automatically. It also can broadcast the microphone real time sound, or other line in sound. It also support RS485 communication with ASENWARE AW-FP300 series addressable fire alarm control panel.



Features
Maximum power output: 350Watt.
Speaker driving mode: constant voltage.
Evacuate message up to 1 minute.
Background audio: USB2.0
Complies with EN54 part 16.
Network function (work with AW-FP300 series addressable fire alarm control panel)
Maximum 15 pcs AW-VP350 can be connected with 1 pc AW-FP300 addressable fire alarm control panel.
2.6.2 Each AW-VP350 panel can be programmed to maximum 20 channels and controlled by AW-FP300 addressable fire alarm control panel



**Ceiling Speaker** AW-SP01    **Ceiling Speaker** AW-SP02    **Wall Mounted Speaker** AW-SP03    **15W Water Proof Speaker** AW-SP04    **30W Water Proof Speaker** AW-SP05

Model No.	AW-SP01/02	AW-SP03	AW-SP04	AW-SP05
Power	3-6W/6-10W	10-15W	15-30W	20-30W
Voltage	70/110V	70/110V	70/110V	70/110V
Loudest pressure level (1m)	92dB/95dB	95dB	118dB	118dB
Weight	0.8kg/1.3kg	0.8kg	1.45kg	1.21kg
Size	5inch/6.5inch	260*185*120mm	202*120*234mm	220*165*240mm

**Addressable Fire Telephone Panel**  
AW-FT599

The addressable fire telephone panel is suitable for communication and during any fire or emergency in the building. In case of fire alarm at the application site, the site personnel can call the host through extension and contact the control center in time. The operator in the control center can also call the extension at the site through the panel to know the situation on the site.



Features
With the two-bus technology, the power supply and communication are compatible on two buses, and are not divided into the positive and the negative, convenient for debugging
It has perfect detection measures, which can detect the short circuit and open circuit of the bus, and make sound and light alarm
The anti-interference performance of hardware and software allows for the adaptability to various complex environments.
The voice is subject to differential transmission on the bus, with strong anti-interference capability.
The application of silica gel button presents a beautiful appearance, good hand feeling and long service life.
The panel and extension can call each other and make full-duplex call, and the host can communicate with three extension telephones at the same time.
It has the function of recording and displaying the calling and answering time, and can query 120 records of calling and response time between the panel and the extension.
The recording is subject to circular coverage, first-in-first-out mode and automatic recording is enabled during a call.

**Conventional Fire Telephone System**  
AW-FTP2008(8 zones)

The conventional fire telephone panel AW-FTP2008 is a communication equipment which provides a convenient means of fire reporting. It has well-mounted structure and is easy to install, suitable for small systems. It can apply in scenarios like communication between the control room and the fireplace, fire-fighting command, evacuation rescue, etc.



**Addressable Fire Telephone Jack**  
AW-D501



**Conventional Fire Telephone Handset**  
AW-D502

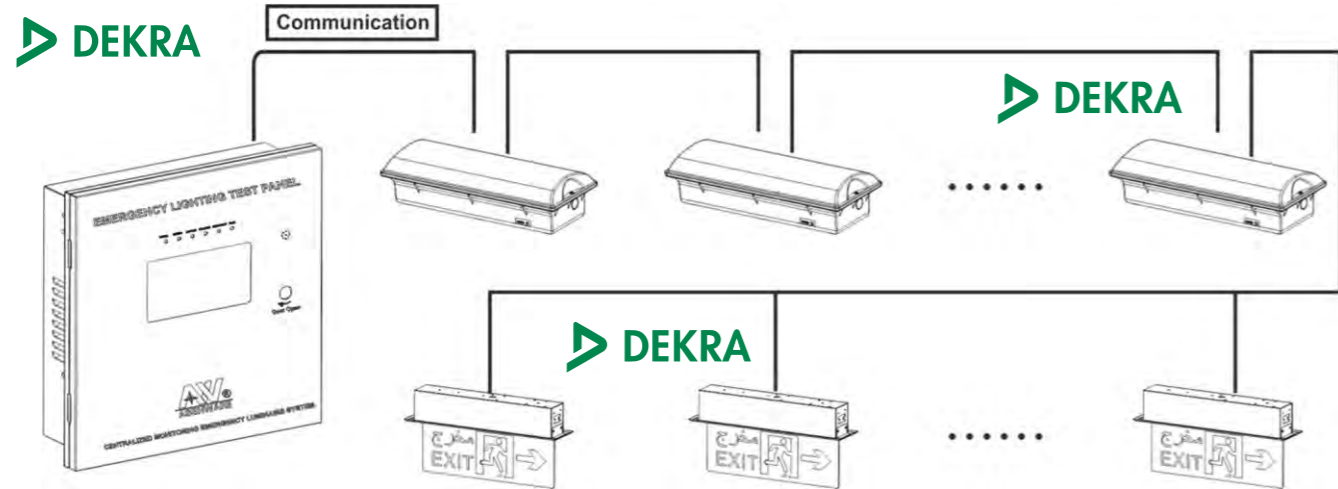
**Emergency Luminaire System**

This control system is designed for managing, testing, monitoring and controlling emergency lighting which is mounted dispersedly.



Features
7 inch colorful LCD display
Easy operating
Convenient using
Communicated by PLC
Easy Mounting
Low maintenance cost

Features
Maximum 500 lightings
Simultaneously and remotely control one or more lightings
More than 500 history events record
Up to 16-way non-source emergency input signs testing
Up to 16 lighting zones
Up to 16 testing groups
Detecting battery fault, LED source fault, AC fault and communication fault for single emergency lighting



The installation can be performed per below figure in actual condition. Exit Lights and Emergency lighting can be connected to directly from the panel and power would be supplied from the panel itself. Panel has two sources, one is AC mains and another one is 24 Volts battery (or two 12V batteries).

Photo	Product Name	Model No.	Parameters
	Emergency Lighting Test Panel	AW-EP500	<ul style="list-style-type: none"> <li>✓ Single loop</li> <li>✓ Maximum 500 emergency lights per loop</li> <li>✓ Up to 16 non- source emergency zone input</li> <li>✓ Up to 16 testing groups</li> </ul>
	Centralized Monitoring Emergency Luminaire	AW-CEL101	<ul style="list-style-type: none"> <li>✓ 220VAC 50/60Hz power supply</li> <li>✓ 3 Hours battery discharge time 48pcs LED lights</li> <li>✓ 670lm</li> </ul>
	Centralized Monitoring Exit Sign	AW-CEL301	<ul style="list-style-type: none"> <li>✓ 220VAC 50/60Hz power supply</li> <li>✓ 3 Hours battery discharge time 16 pcs LED lights Double side</li> </ul>

Conventional Emergency Light			
Photo	Product Name	Model No.	Parameters
	LED Emergency Light TUV Approved	AW-EL101	<ul style="list-style-type: none"> <li>✓ 110V-127VAC 50/60Hz</li> <li>✓ 220V-240VAC 50/60Hz</li> <li>✓ Non-maintaines</li> <li>✓ LED 16pcs/bar, 1/2/3/5 bar</li> <li>✓ Nickel-cadmium or Lead-acid</li> </ul>
	Twin Lamp LED Emergency Light	AW-EL207	<ul style="list-style-type: none"> <li>✓ 220VAC 50Hz/60Hz ±10%</li> <li>✓ -5° C~ 40° C Rh≤92% surface without condensation</li> <li>✓ SMD 2835 12PCS .</li> </ul>
	Twin-Spot Emergency Light	AW-EL203	<ul style="list-style-type: none"> <li>✓ 220V-240VAC 50/60Hz</li> <li>✓ Nicke l-cadmium 3.6V</li> <li>✓ &lt; 24 hours</li> </ul>
	Exit Sign TUV Approved	AW-EL301	<ul style="list-style-type: none"> <li>✓ 220VAC 50Hz + 10%- 15%</li> <li>✓ 1.2V 800mAh</li> <li>✓ 0.5 mm²</li> </ul>
	Exit Sign	AW-EL302	<ul style="list-style-type: none"> <li>✓ 110V-120VAC or 220VAC 50Hz</li> <li>✓ AL housing and 6mm acrylic panel</li> <li>✓ 8 LED, 0.5W</li> <li>✓ 3.6V 500mAh Ni-Cd</li> <li>✓ &gt; 90 min</li> </ul>
	Twin Lamp Emergency Light	AW-EL208	<ul style="list-style-type: none"> <li>✓ 220VAC 50/60Hz</li> <li>✓ 2150lm</li> <li>✓ &lt; 24 hours</li> <li>✓ 2*10w</li> </ul>
	LED Lamp Emergency Light	AW-EL103	<ul style="list-style-type: none"> <li>✓ 220VAC 50/60Hz</li> <li>✓ ≥220lm</li> <li>✓ &lt; 24 hours</li> </ul>



**Heat Detector Tester**  
AW-D202



**Smoke & Heat Detector 2 in 1 Tester**  
AW-D206



**Smoke Detector Tester**  
AW-D201

**Flame Simulator**  
AW-D204

**Smoke & Heat Detector Disassembly Tool**  
AW-D208



**Smoke Detector Tester**  
AW-D201

**Heat Detector Tester**  
AW-D202

Features
Length 1.6 meter x Dia.32mm
Light Weight Aluminium pole
Triggering mechanism
Aluminium case with lock

Features
Heating Element :220V/100W or 110V/100W
Length 1.75meter x Dia.32mm Light weight Aluminium Pole
Cable Length 10 meters
Aluminium case with lock



**Smoke & Heat Detector Disassembly tool**  
AW-D208

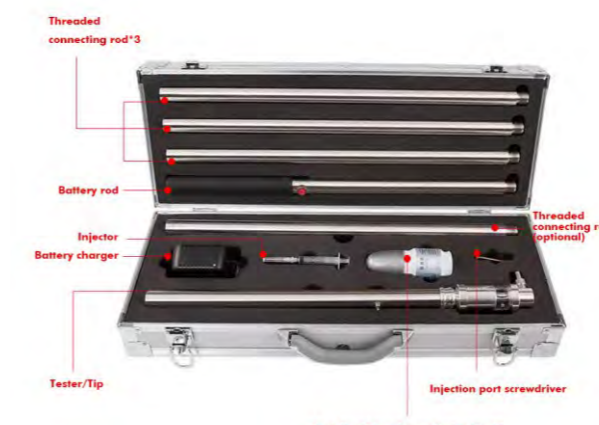


**Accessory list**

- ① Connecting rod\*5
- ② Cylindrical fixture cap\*3
- ③ Mechanical disassembly head
- ④ Torch holder
- ⑤ Strong light flashlight
- ⑥ Rotate tong\*3
- ⑦ Height adjusting gasket\*3
- ⑧ Key\*2
- ⑨ Handle rod



**Flame Simulator**  
AW-D204



**Smoke & Heat Detector 2 in 1 Tester**  
AW-D206

Features
Battery voltage:DC7.4V.2200MA/H
Charger output:DC8.4V, 1000MA
The total length of the tester:2.5m
Materials of the tester:aluminum
Materials of the connecting rod:stainless steel
Materials of package box:aluminum
Infrared waveband scope of (0.5 u m-5.5 u m)
ultraviolet waveband scope of (185nm-255nm)



### Gas Extinguishing Release Control System AW-GEC2169



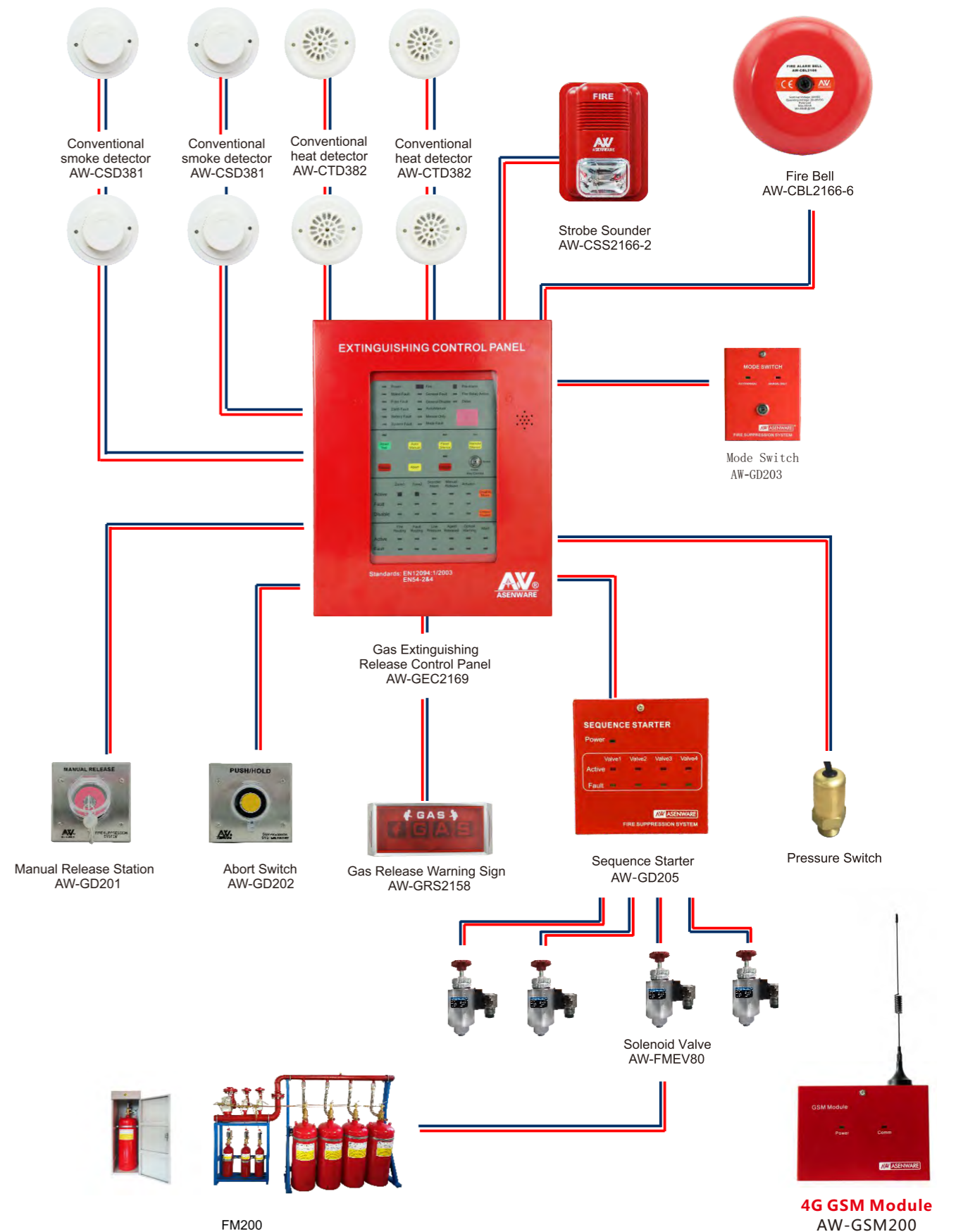
Fire Extinguishing System  
Fm200/FK-5-1-12



CO2 Extinguishing System



Packaged Fire Pump System



**AW-GEC2169 Extinguishing control panel**

AW-GEC2169 gas extinguishing control panel is designed in compliance with the requirements of European standards of EN54-2, EN54-4 and EN12094-1. This panel can be used in FM200, CO2, IG541, N1230 and other gas fire extinguishing systems.

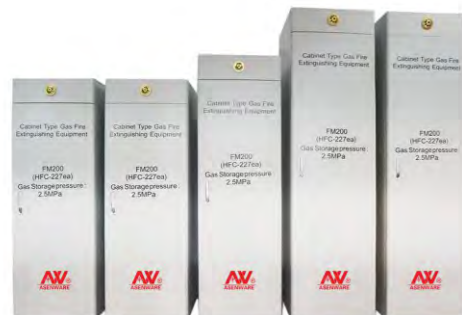


Features
Alarm input: four alarm zones signal input, each zone can connect up to 16 detectors.
EM valve output: control the output of electromagnetic valve.
Panel outputs: circuit fault output / alarm output/ fire extinguishing signal output/24VDC output other parts working condition.
Power output: resettable 24VDC output, 200mA current-limited protection.
Automatic power shift: 220VAC power and standby battery power can be switched automatically.
GSM module (optional): GSM module allows users to receive alarm information by SMS.

**FM-200/FK-5-1-12 Fire Extinguishing System**



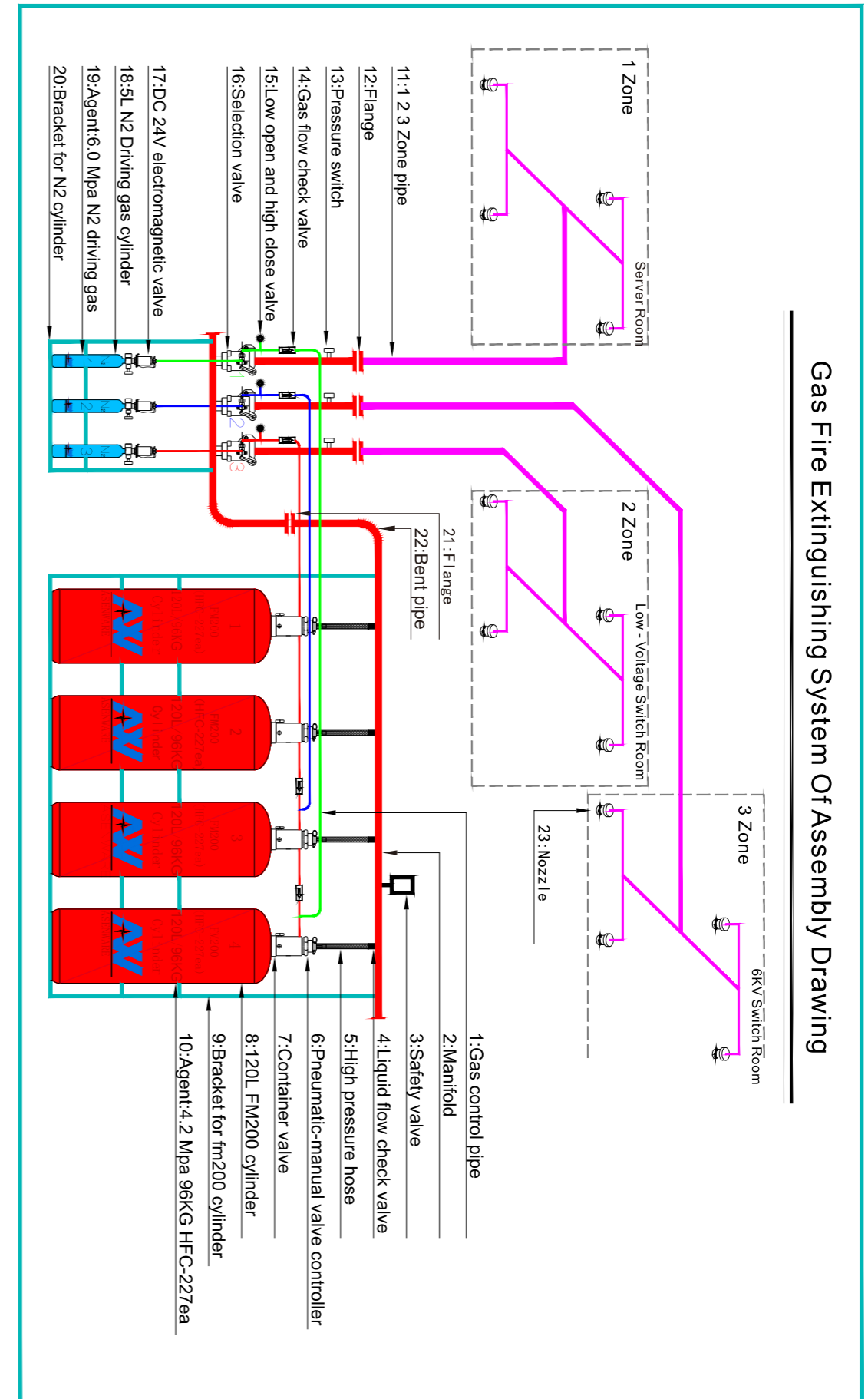
Asenware Clean Agent Fire extinguishing systems utilizes FM-200 FK-5-1-12 as extinguishing gas. Asenware gas extinguishing systems are available as Engineered and Pre-Engineered Systems (Cabinet System).



Cabinet Type



Manifold Type



Gas Fire Extinguishing System Of Assembly Drawing

Hanging Type Gas Extinguishing System

Different from piped network type gas extinguishing the hanging type will be simple to install, no pipeline installation.



Electric Hanging Type



Fixed Temperature Hanging Type

Applications

Electronic computer room, a data processing center, telecommunications facilities, process control, expensive medical equipment, industrial equipment, library, museum and art gallery, clean room, anechoic chamber, emergency power facilities, flammable liquid storage area, etc.



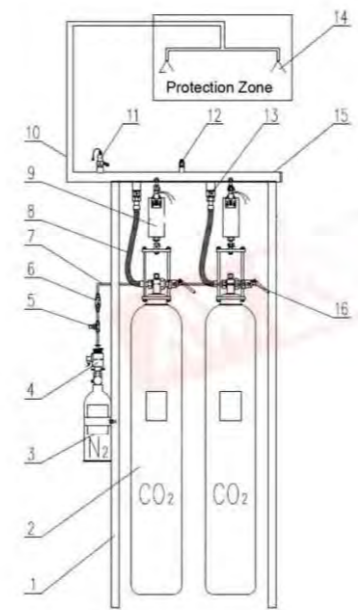
Fire Detection Tube Suppression System



Features
Agent: FM 200/FK-5-1-12/CO <sub>2</sub>
Working Pressure: 14bar
Test Pressure: 25bar
Working Temperature: -30°C-+60°C
System Activated Temperature: 140°C±10°C

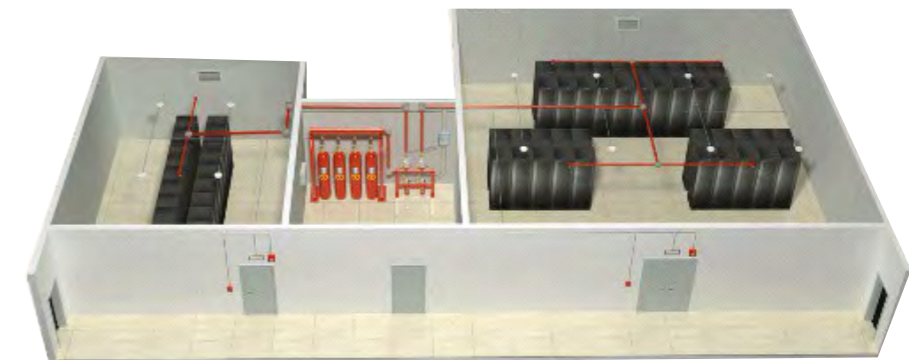
CO<sub>2</sub> Gas Extinguishing System

CO<sub>2</sub> Gas Extinguishing System is a kind of intelligent automatic extinguishing system. In accordance with requirements for use in different places for application, the unit independent system and combined distribution system can be constituted and the way of total flooding extinguishing can be used in order to realize the extinguishing protection of single protection area and multi-protection area. CO<sub>2</sub> gas automatic extinguishing system has advanced technology and high extinguishing efficiency and can be maintained easily. This system has 3 start-up modes including automatic operation, manual operation and mechanical emergency operation.



1. Bracket of storage bottle group of extinguishing agent
2. Storage bottle of extinguishing agent
3. Start-up bottle
4. Electromagnetic actuator of start-up bottle
5. Low-discharge and high-seal valve
6. Check valve of Start-up gas
7. Start-up pipe line
8. High-pressure hose
9. Weighing and leak detection device
10. Transmission pipeline of extinguishing agent
11. Pressure signal device
12. Safety valve
13. Check valve of extinguishing agent
14. Nozzle
15. Header pipe
16. Mechanical emergency start-up handle

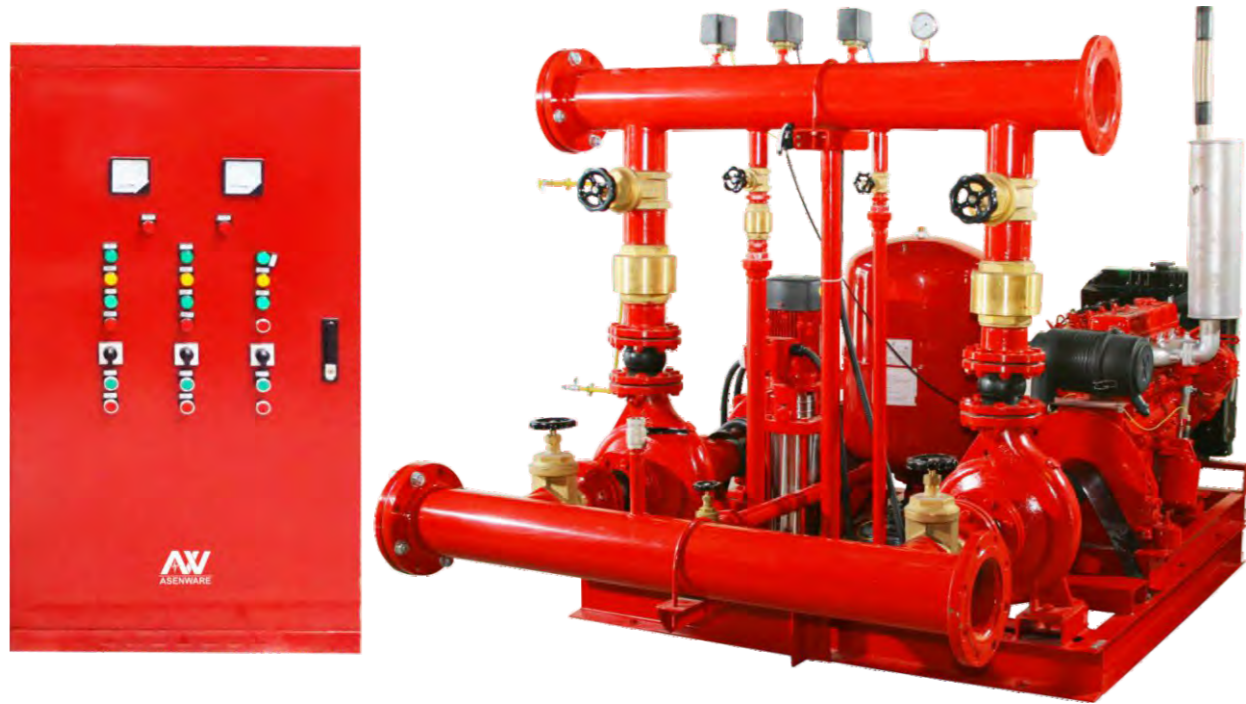
This system is mainly suitable for the following fire situation
Gas fire in the event that gas source can be cut off before extinguishment;
Liquid fire or fire due to fusible solids such as paraffin and asphalt;
Fire on solid surface and deep-seated fire of partial solids such as cotton, fabric, and paper ;
Electrical fire.





**Packaged Fire Pump system**

Asenware packaged Fire Pump system, can provide the complete skid for Fire Pump service. Systems include the pump, driver, controller and jockey pump all mounted on a common base. Controller is pre-wired to the drivers.



Features
Full Assembly (Electric, Diesel and Jockey Pumps)
Common Base
Suitable Suction and Discharge Piping
Includes Check Valve, Isolation Valves and Pressure Gauges
Diesel Fuel Tank Mounting (optional ) and Battery Connection
Suitable Pressure Tank
Pre -Assembled Controller
Automatically run and stop jockey pump, electrical motor pump and diesel pump.
Automatically charge the battery.
Special water flow path design for high efficiency.
Full test with pressure guage and flow meter at same time.

**Fire sprinkler system**

The fire sprinkler system is an active fire protection measure, consisting of a water supply system, providing adequate pressure and flow rate to a water distribution piping system, onto which fire sprinklers are connected. Although historically only used in factories and large commercial buildings, systems for home and small building are now available at a cost-effective price. Fire sprinkler systems are extensively used worldwide with over 40 million sprinkler heads fitted each year. In buildings completely protected by fire sprinkler systems, over 99% of fires were controlled by fire sprinklers alone.



**Wet Alarm Valve**

Dimensions(mm)						
Normal Diameter(mm)	OD	A	B	∅ d	∅ D	F
80	88.9	15.88	7.93	84.94	88.9	320.3
100	114.3	15.88	9.53	110.08	114.3	382
150	168.3	15.88	9.53	163.96	168.3	406.4
200	219.1	19.05	9.53	214.4	219.1	446



**Deluge Alarm Valve**

Normal Diameter (mm)	Max.woking Pressure (mpa)	Valve Height (mm)	Flange Od (mm)	Screw No& Bore Diameter (mm)	Install Dimension (mm)
50	1.2	165	125	8*18	920*265*550
80	1.2	250	200	8*18	950*275*575
100	1.2	250	215	8*18	975*285*580
125	1.2	270	245	8*18	995*325*580
150	1.2	270	280	8*18	1020*340*580
200	1.2	300	335	12*12	1020*395*595
250	1.2	450	400	126	1185*460*598



**Pre-action Alarm Valve**

Normal Diameter (mm)	Normal Working Pressure (MPa)	Body Height (mm)	Flange Outer Diameter (mm)	Water Pressure Reduced (MPa)	Drive Time(s)
100	1.2~1.6	250	220	<0.07	15
150	1.2~1.6	270	285	<0.07	15
200	1.2~1.6	370	340	<0.07	15



**2 Way Fire Hydrant**

Outlet Size	2 x2.5"
Inlet Size	4"
Material	Cast Iron
Working Pressure	15 Bar



**3 Way Fire Hydrant**

Outlet Size	1 x4" & 2 x2.5"
Inlet Size	6"
Material	Cast Iron
Working Pressure	15 Bar



**Flange Type Landing Valve**

Outlet Size	2.5"
Inlet Size	2.5"
Material	Brass
Working Pressure	1.6 Mpa



**Thread Type Landing Valve**

Outlet Size	2.5"
Inlet Size	2.5"
Material	Brass
Working Pressure	1.6 Mpa



**2 Way Breeching Inlet**

Outlet Size	2x 2.5"
Inlet Size	4"
Material	Cast Iron
Working Pressure	10 Bar



**4 Way Breeching Inlet**

Outlet Size	4x 2.5"
Inlet Size	6"
Material	Cast Iron
Working Pressure	10 Bar



**Gate Valve**  
DN50-DN200

Nominal Pressure(Mpa)	Boundary Dimension Unit : mm			
	DN	L	HA	HC
1.6MPa	50	178	322	374
	65	190	332	398
	80	203	350	429
	100	229	420	524
	125	254	581	721
	150	267	581	736
	200	292	736	942



**Butterfly Valve**  
DN50-DN200

Nominal Pressure(Mpa)	DN	H1	H2	H3	D1	D2	L1
1.6MPa	50	70	130	68	120	95	43
	65	76	143	68	136	109	46
	80	86	155	68	160	124	46
	100	104	170	68	182	153	52
	125	118	190	68	215	179	56
	150	132	210	68	238	206	56
	200	167	243	85	295	264	60



**Pressure Reducing Valve**  
DN50-DN200

Nominal Pressure(MPa)	Nominal Diameter DN (mm)	L	PN16		H	H1
			D	D1		
1.6MPa	50	240	160	125	265	210
	65	240	180	145	310	215
	80	292	195	160	350	245
	100	325	215	180	460	305
	125	340	245	210	520	365
	150	403	280	240	570	415
	200	435	335	295	695	510



**Y-Strainer**  
DN65-DN200

Nominal pressure(MPa)	DN	L	H
		flange	flange
1.6MPa	65	225	135
	80	280	175
	100	300	195
	125	350	220
	150	390	240
	200	500	335



**Sight Flow Glass type**  
DN15-25



**Sight Flow Thread type**  
DN32-DN80



**Sight Flow Flange type**  
DN200



**Main Relief Valve**  
DN 50-DN 200

Nominal pressure(MPa)	Test pressure (MPa)		Applicable medium	Operating Humidity
	Shell	Seal		
1.6MPa	2.4	1.76	Clean water and sewage without impurities	≤80°C



**Flexible Coupling**  
DN 50-DN 200



**Check Valve**  
DN 50-DN 200



**Flow Meter**  
DN 50-DN 200



**Flow Indicator**  
DN 25-DN 200

Nominal pressure(MPa)	Installation	Nominal diameter	Working pressure(Mpa)	Sensitivity L/min
1.6MPa	flange	DN25 DN50 DN65 DN80 DN100 DN125 DN150 DN200	1.2	15 < Q < 37.5
	Saddle type			
	welded			
	Silk mouth type			



**Air Vent**  
DN 50-DN 100



**Seamless Galvanized Steel Pipe**  
ASTM A53



**Pipe Fittings**  
Variable

**ASTM A53 seamless steel pipe**

Seamless steel pipe (SMLS) is formed by drawing a solid billet over a piercing rod to create the hollow shell, without welding or seam. It is suitable for bending and cutting. The advantage of seamless steel is the ability of withstanding higher pressure. ASTM A53 specification also covers seamless steel pipe. The pipe is intended for pressure and mechanical applications and is also acceptable for ordinary uses in oil, gas, steam, water and air lines. It is suitable for welding, bending and flanging.



- Standard: ASTM A53, Type S, Grade B
- Dimension: Sch40 /Sch80 as ASME B36.10M
- Application: Fire main pipe, fire pump pipe, fire standpipe, fire sprinkler branch pipe ,
- Black and red seamless pipe is available

**Outside Diameter and Wall Thickness(American Standard ANSI B36.10 B36.19M)**

Nominal Pipe Size		Outside Diameter D	Nominal Wall Thickness															
NPS	DN		SCH10s	SCH10	SCH20	SCH30	SCH40s	STD	SCH40	SCH60	SCH80s	XS	SCH80	SCH100	SCH120	SCH104	SCH160	XXS
1/8	6	10.3	1.24				1.73	1.73	1.73		2.41	2.41	2.41					
1/4	8	13.7	1.65				2.24	2.24	2.24		3.02	3.02	3.02					
3/8	10	17.1	1.65				2.31	2.31	2.31		3.20	3.20	3.20					
1/2	15	21.3	2.11				2.77	2.77	2.77		3.73	3.73	3.73			4.78	7.47	
3/4	20	26.7	2.11				2.87	2.87	2.87		3.91	3.91	3.91			5.56	7.82	
1	25	33.4	2.77				3.38	3.38	3.38		4.55	4.55	4.55			6.35	9.09	
1 1/4	32	42.2	2.77				3.56	3.56	3.56		4.85	4.85	4.85			6.35	9.70	
1 1/2	40	48.3	2.77				3.68	3.68	3.68		5.08	5.08	5.08			7.14	10.15	
2	50	60.3	2.77				3.91	3.91	3.91		5.54	5.54	5.54			8.74	11.07	
2 1/2	65	73.0	3.05				5.16	5.16	5.16		7.01	7.01	7.01			9.53	14.02	
3	80	88.9	3.05				5.49	5.49	5.49		7.62	7.62	7.62			11.13	15.24	
3 1/2	90	101.6	3.05				5.74	5.74	5.74		8.08	8.08	8.08					
4	100	114.3	3.05				6.02	6.02	6.02		8.56	8.56	8.56	11.13		13.49	17.12	
5	125	141.3	3.40				6.55	6.55	6.55		9.53	9.53	9.53	12.7		15.88	19.05	
6	150	168.3	3.40				7.11	7.11	7.11		10.97	10.97	10.97	14.27		18.26	21.95	
8	200	219.1	3.76		6.35	7.04	8.18	8.18	8.18	10.31	12.70	12.70	12.70	15.09	18.26	20.62	23.01	22.23
10	250	273.1	4.19		6.35	7.8	9.27	9.27	9.27	12.70	12.70	12.70	15.09	18.26	21.44	25.4	28.58	25.4
12	300	323.9	4.57		6.35	8.38	9.53	9.53	10.31	14.27	12.70	12.70	17.48	21.44	25.4	28.58	33.32	25.4
14	350	355.6	4.78	6.35	7.92	9.53		9.53	11.13	15.09		12.70	19.05	23.83	27.79	31.75	35.71	
16	400	406.4	4.78	6.35	7.92	9.53		9.53	12.7	16.66		12.70	21.44	26.19	30.96	36.53	40.49	
18	450	457.2	4.78	6.35	7.92	11.13		9.53	14.27	19.05		12.70	23.83	29.36	34.96	39.67	45.24	
20	500	508.0	5.54	6.35	9.53	12.7		9.53	15.09	20.62		12.70	26.19	32.54	38.1	44.45	50.01	
22	550	558.8	5.54	6.35	9.53	12.7		9.53		22.23		12.70	28.58	34.93	41.28	47.63	53.98	
24	600	609.6	6.35	6.35	9.53	14.27		9.53	17.48	24.61		12.70	30.96	38.89	46.02	52.37	59.54	
26	650	660.4		7.92	12.7			9.53				12.70						
28	700	711.2		7.92	12.7	15.88		9.53				12.70						


A53 Chemical components

Standard	Trade Mark	Chemical components									
		C	Si	Mn	P	S	Cu	Ni	Mo	Cr	V
ASTM A53	A	≤0.25	/	≤0.95	≤0.05	≤0.045	≤0.40	≤0.40	≤0.15	≤0.40	≤0.08
	B	≤0.30	/	≤1.2	≤0.05	≤0.045	≤0.40	≤0.40	≤0.15	≤0.40	≤0.08


A53 Mechanical property

Tensile strength (Mpa)	Yield Strength(Mpa)	Elongation(%)
≥330	≥205	≥29.5
≥415	≥240	≥29.5


**Pipe Fittings**




**Galvanized Steel Pipes**




**Galvanized Steel Elbow 90°  
(Welded Type)**




**Galvanized Steel Elbow 90°  
(Threaded Type)**




**Galvanized Steel Tee  
(Welded Type)**




**Galvanized Steel Tee  
(Threaded Type)**




**Galvanized Steel Cross Tee  
(Threaded Type)**




**Galvanized Steel Bell Reducer  
(Welded Type)**




**Galvanized Steel Bell Reducer  
(Welded Type)**




**Galvanized Steel End Cap**



**Galvanized Steel Blind Flange**



**Galvanized Steel Slip On Flange**



**Flexible Mechanical Grooved Coupling**



**Foam Fire Extinguishing System**

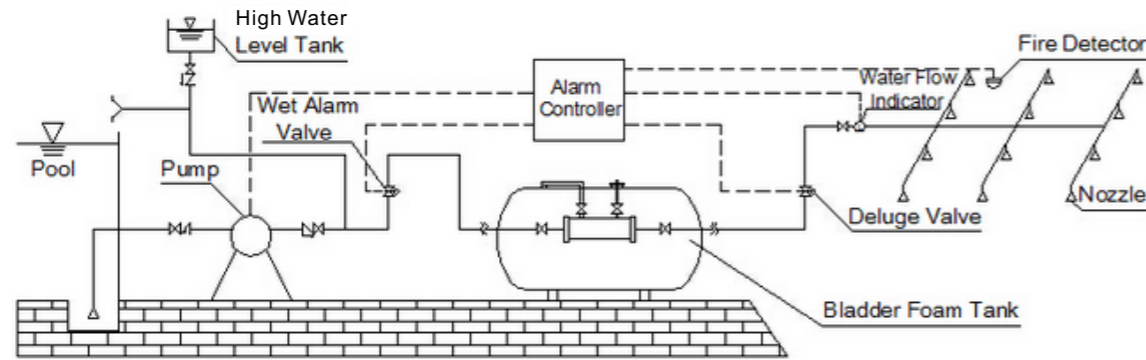
Foam Bladder Tank is to provide foam solution for fire foam system. It is mainly consist of pressure tank, bladder, proportioner, control valves, pressure gauge and pipelines. High-pressure water is needed to swap out foam concentrate(stored in bladder in the tank) from the tank as a certain proportion. Foam concentrate then mix with pressurized water and form foam solution. The concentrate is discharged from the tank by incoming water applying pressure to the bladder. This applied energy is transferred to the concentrate, supplying pressurized concentrate to the proportioner. (Proportioners are separate items described on a separate data sheet.) For bladder is separated from the water that it can be utilized next time if not finished. Besides, there is feed inlet to refill or rechange foam concentrate.



Horizontal type



Vertical type



Features	
Big flow pressure range and small pressure loss.	
Widely used both in mid-multiples and low multiples foam extinguishing system.	
Two types: horizontal and vertical.	

Working Pressure Range	0.6~1.2MPa
Pressure Drop	0.2MPa
Test Pressure	Intensity 1.5MPa
	Seal 1.32MPa
Tank Capacity	500~10000L
Size of Proportioner	DN80~DN250
Flow Rate	4~360L/S
Mixing Ratio	3% or 6%



Foam Monitor



Foam Chamber



**Fire hose reel**



Specification
Material: Rubber
Length: 30m
Size: DN19 (3/4") & DN25 ( 1" )
With valve
With nozzle
Swing automatic and manual for options



**Fire hose rack**



Specification
Material: Canvas
Length: 30m
Size: DN40 (1.5") & DN65 (2 (1/2"))
Coupling: aluminum x 2pcs
Nozzle: brass or plastic for options
Right angle valve: brass
With hose rack



Hose Rack



Hose Adapter



Right Angle Valve



Hose Nozzle



Hose Coupling



Fire Hose

**Embedded & Wall-mounted type Cabinet**

Customizable size and design cabinet for options



Fire Hose Reel Cabinet



Fire Hose Reel Cabinet



Fire Hose Cabinet



Extinguisher Cabinet

**Fire Blanket**



Fire Blanket Box Package



Fire Blanket Plastic Package

**Fire Blanket Box Package**

Model Number	Fire Blankets Size	Net weight (pcs)	Gross weight (pcs)	Quantity(pcs of box)/Size
AW-FB101	1m*1m	0.45kg	0.7kg	20pcs/ 52 ×34 ×21cm
AW-FB103	1.2m*1.2m	0.64kg	0.9kg	20pcs/ 52 ×34 ×21cm
AW-FB105	1.5m*1.5m	1.10kg	1.3kg	15pcs/ 52 ×34 ×21cm
AW-FB107	1.2m*1.8m	0.93kg	1.35kg	15pcs/ 52 ×34×21cm
AW-FB109	1.8m*1.8m	1.39kg	1.8kg	10pcs/ 42 ×34×21cm

**Fire Blanket Plastic Package**

Model Number	Fire Blankets Size	Net weight (pcs)	Gross weight (pcs)	Quantity(pcs of box)/Size
AW-FB102	1m*1m	0.45kg	0.5kg	30pcs/ 42 ×34 ×21cm
AW-FB104	1.2m*1.2m	0.64kg	0.7kg	20pcs/ 42 ×34 ×21cm
AW-FB106	1.5m*1.5m	0.98kg	1.1kg	15pcs/ 42 ×34 ×21cm
AW-FB108	1.2m*1.8m	0.95kg	1.05kg	15pcs/ 42 ×34×21cm
AW-FB110	1.8m*1.8m	1.39kg	1.45kg	10pcs/ 42 ×34×21cm



**Glass bulb type fire sprinkler**

Type	Pendent	Upright	Sidewall
Material	Brass or zinc alloy		
Normal diameter (mm)	DN15 or DN20		
Connecting thread (inch)	R1/2" or R3/4"		
Response element	Glass bulb		
Operating Temperature	57°C/68 °C /79 °C /93 °C /141 °C /181 °C		
Response type	Standard response or Quick response		
K factor	80(5.6 @ US) or 115 (8.0 @ US)		
Working pressure	0.1 MPa - 1.2 Mpa(1 bar - 12 bar)		
Seal material	Teflon (PTFE) plated metal O-ring, or rubber O-rin		



